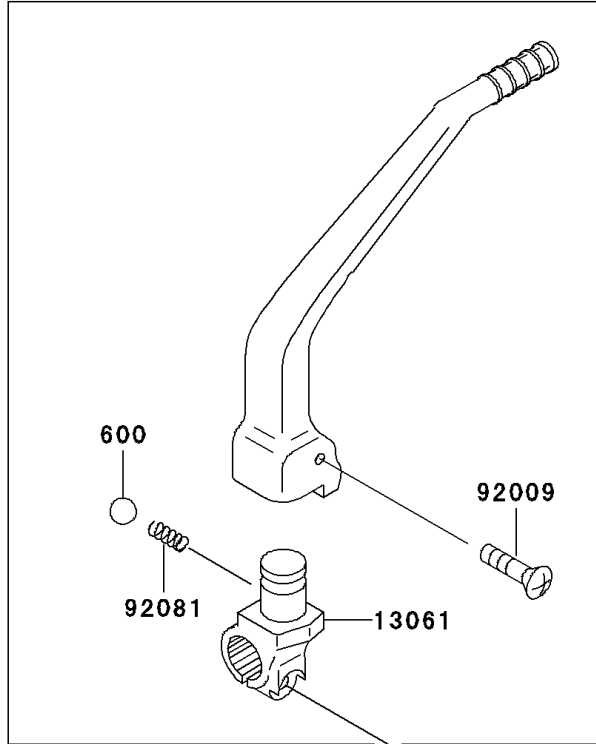


1999 KLX300R PARTS DIAGRAM

Kickstarter Mechanism

E1340



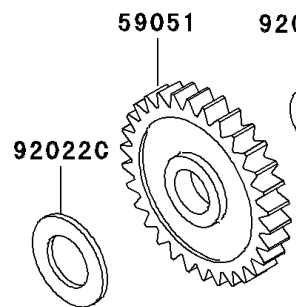
13064

600

92081

13061

92009



59051

92022A

92022C

92033

92022B

92022D

92081A

480

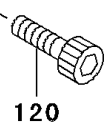
480

92022D

59051A

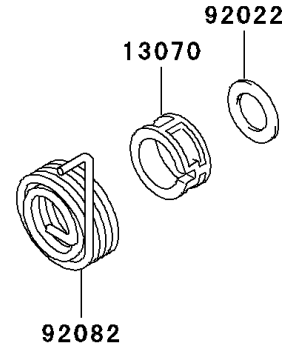
13078

480



120

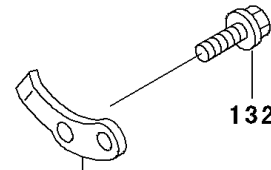
13066



13070

92022

92082



132

13206

1999 KLX300R PARTS LIST

Kickstarter Mechanism

ITEM NAME	PART NUMBER	QUANTITY
BOLT-SOCKET,8X25,BLACK (Ref # 120)	120S0825	1
BOLT-FLANGED-SMALL (Ref # 132)	132G0616	1
CIRCLIP-TYPE-C,16MM (Ref # 480)	480J1600	2
BALL-STEEL,1/4" (Ref # 600)	600A0800	1
BOSS,KICK PEDAL (Ref # 13061)	13061-1397	1
LEVER-ASSY-KICK,PEDAL (Ref # 13064)	13064-1172	1
SHAFT-KICK (Ref # 13066)	13066-1088	1
GUIDE,KICK SPRING (Ref # 13070)	13070-011	1
RATCHET (Ref # 13078)	13078-1052	1
GUIDE-KICK (Ref # 13206)	13206-1062	1
BOOT (Ref # 49006)	49006-1287	1
GEAR-SPUR,IDLE,28T (Ref # 59051)	59051-1120	1
GEAR-SPUR,KICK,29T (Ref # 59051A)	59051-1131	1
SCREW,6X27 (Ref # 92009)	92009-1607	1
WASHER,18.5X23X1.2 (Ref # 92022)	92022-118	1
WASHER,17.3X25X0.5 (Ref # 92022A)	92022-1614	1
WASHER,12.3X20X0.5 (Ref # 92022B)	92022-269	1
WASHER,17.3X30X1.4 (Ref # 92022C)	92022-270	1
WASHER,16.8X22X0.5 (Ref # 92022D)	92022-315	2
RING-SNAP (Ref # 92033)	92033-032	1
SPRING,KICK PEDAL (Ref # 92081)	92081-020	1
SPRING,RATCHET (Ref # 92081A)	92081-122	1
SPRING,KICKSTARTER (Ref # 92082)	92082-003	1