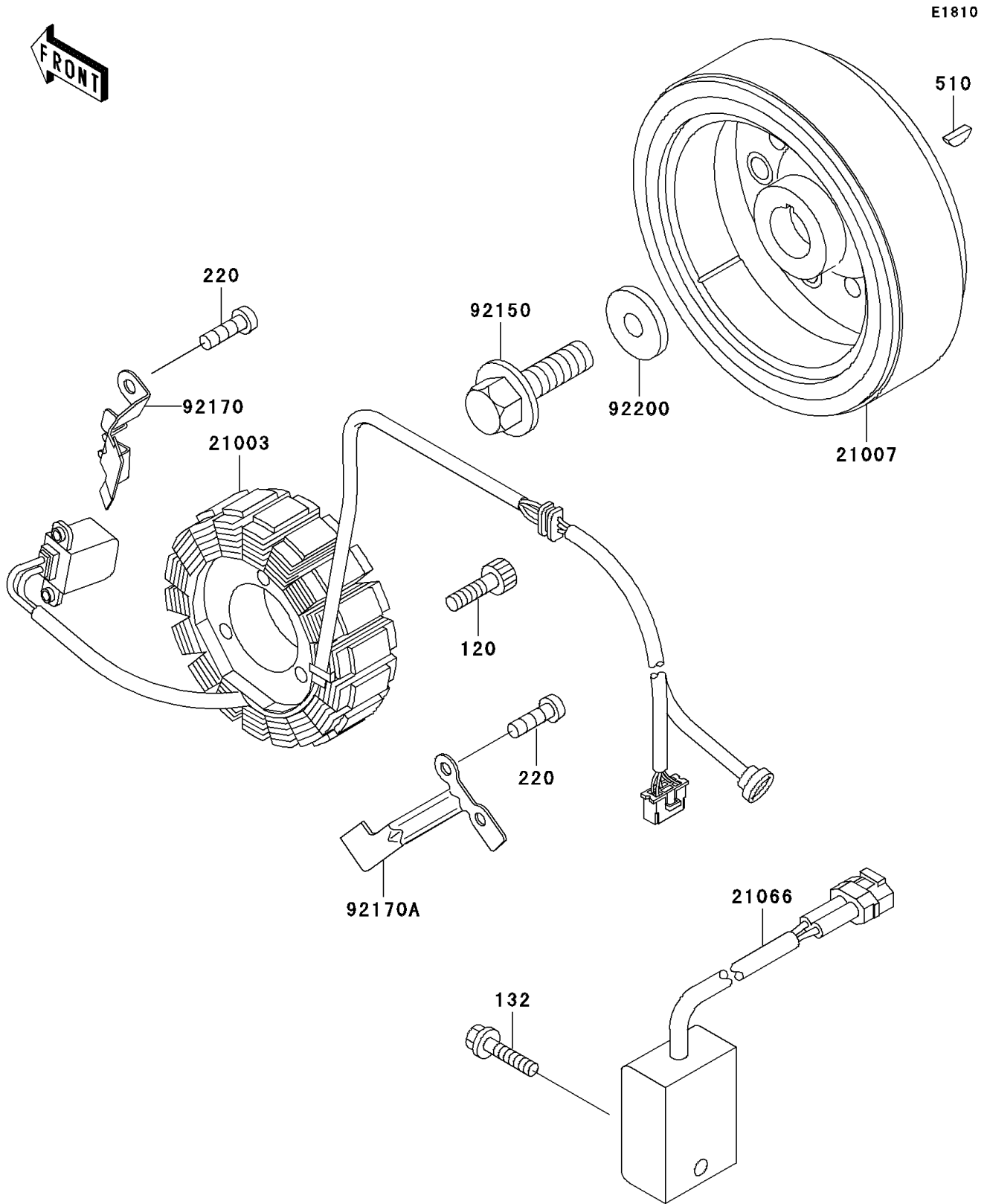


1999 KLX300R PARTS DIAGRAM

Generator



1999 KLX300R PARTS LIST

Generator

ITEM NAME	PART NUMBER	QUANTITY
BOLT-SOCKET,5X30 (Ref # 120)	120P0530	3
BOLT-FLANGED-SMALL (Ref # 132)	132J0612	1
SCREW-PAN-CROS (Ref # 220)	220B0512	4
KEY-WOODRUFF (Ref # 510)	510A3100	1
STATOR (Ref # 21003)	21003-1274	1
ROTOR,MAGNETO (Ref # 21007)	21007-1314	1
REGULATOR-VOLTAGE (Ref # 21066)	21066-1072	1
BOLT,10X32 (Ref # 92150)	92150-1134	1
CLAMP (Ref # 92170)	92170-1346	1
CLAMP (Ref # 92170A)	92170-1347	1
WASHER,10X30X4 (Ref # 92200)	92200-1185	1