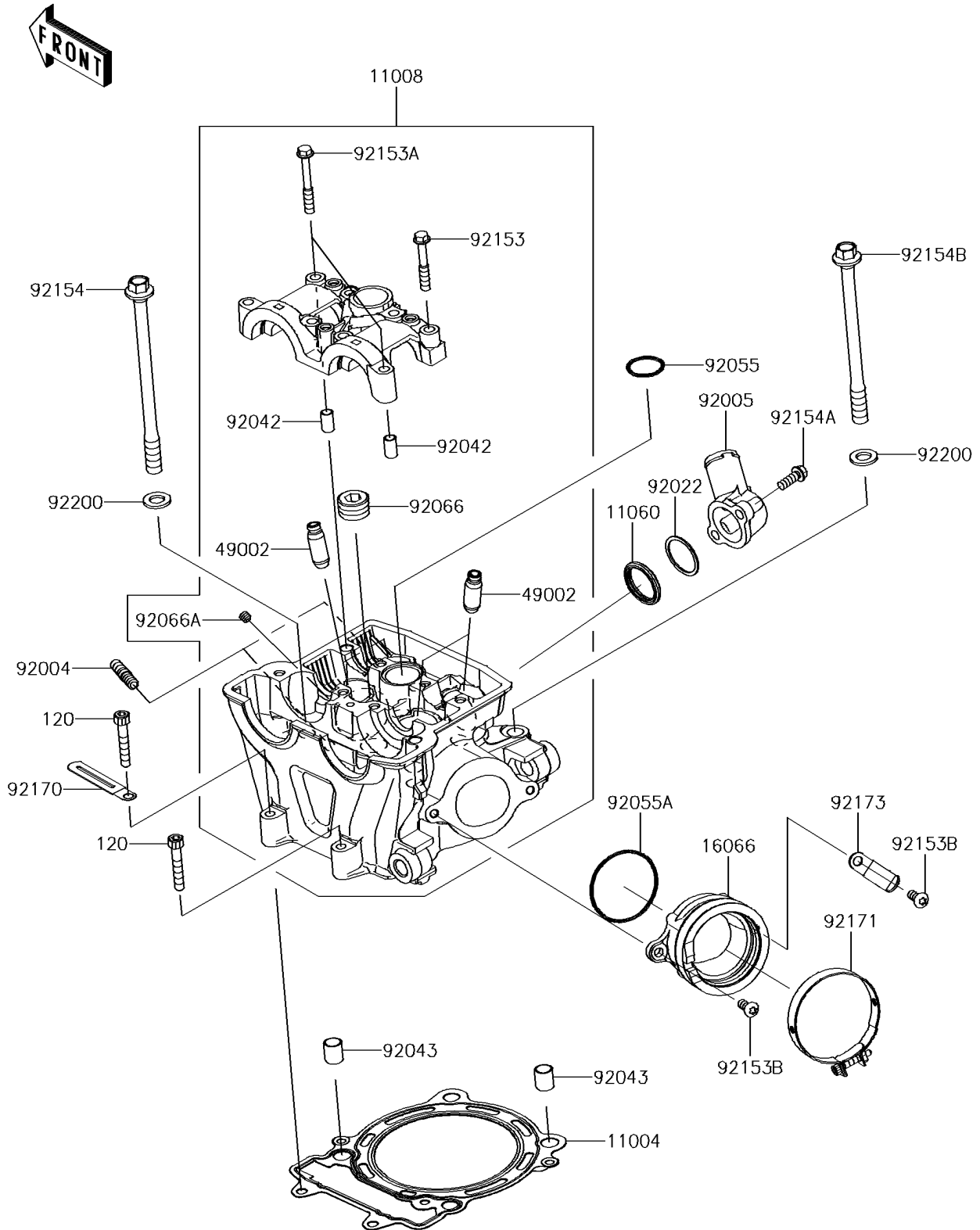


2018 KX™ 450F PARTS DIAGRAM

Cylinder Head

E1111



2018 KX™ 450F PARTS LIST

Cylinder Head

ITEM NAME	PART NUMBER	QUANTITY
GASKET-HEAD (Ref # 11004)	11004-0756	1
HEAD-COMP-CYLINDER (Ref # 11008)	11008-0880	1
GASKET,THERMOSTAT (Ref # 11060)	11060-1300	1
BOLT-SOCKET,6X35 (Ref # 120)	120CA0635	2
HOLDER-THROTTLE BODY (Ref # 16066)	16066-0004	1
GUIDE-VALVE (Ref # 49002)	49002-0020	AR
STUD,8X22 (Ref # 92004)	92004-0025	2
FITTING (Ref # 92005)	92005-0807	1
WASHER,25.3X30X1 (Ref # 92022)	92022-161	1
PIN,DOWEL,6.3X8X14 (Ref # 92042)	92042-007	2
PIN,10.1X12X14 (Ref # 92043)	92043-4009	2
RING-O,23.5X2.0 (Ref # 92055)	92055-0046	1
RING-O,47X1.9 (Ref # 92055A)	92055-1600	1
PLUG,PT1/2X12.5 (Ref # 92066)	92066-0002	1
PLUG,6X6 (Ref # 92066A)	92066-0068	1
BOLT,6X38 (Ref # 92153)	92153-0338	6
BOLT,6X45 (Ref # 92153A)	92153-0339	2
BOLT,TORX,6X14 (Ref # 92153B)	92153-0406	2
BOLT,FLANGED,10X140 (Ref # 92154)	92154-1791	2
BOLT,FLANGED,6X16 (Ref # 92154A)	92154-1926	2
BOLT,FLANGED,10X127 (Ref # 92154B)	92154-2455	2
CLAMP (Ref # 92170)	92170-1514	1
CLAMP (Ref # 92171)	92171-1552	1
CLAMP (Ref # 92173)	92173-1566	1
WASHER,10.2X18.4X1.8 (Ref # 92200)	92200-1691	4