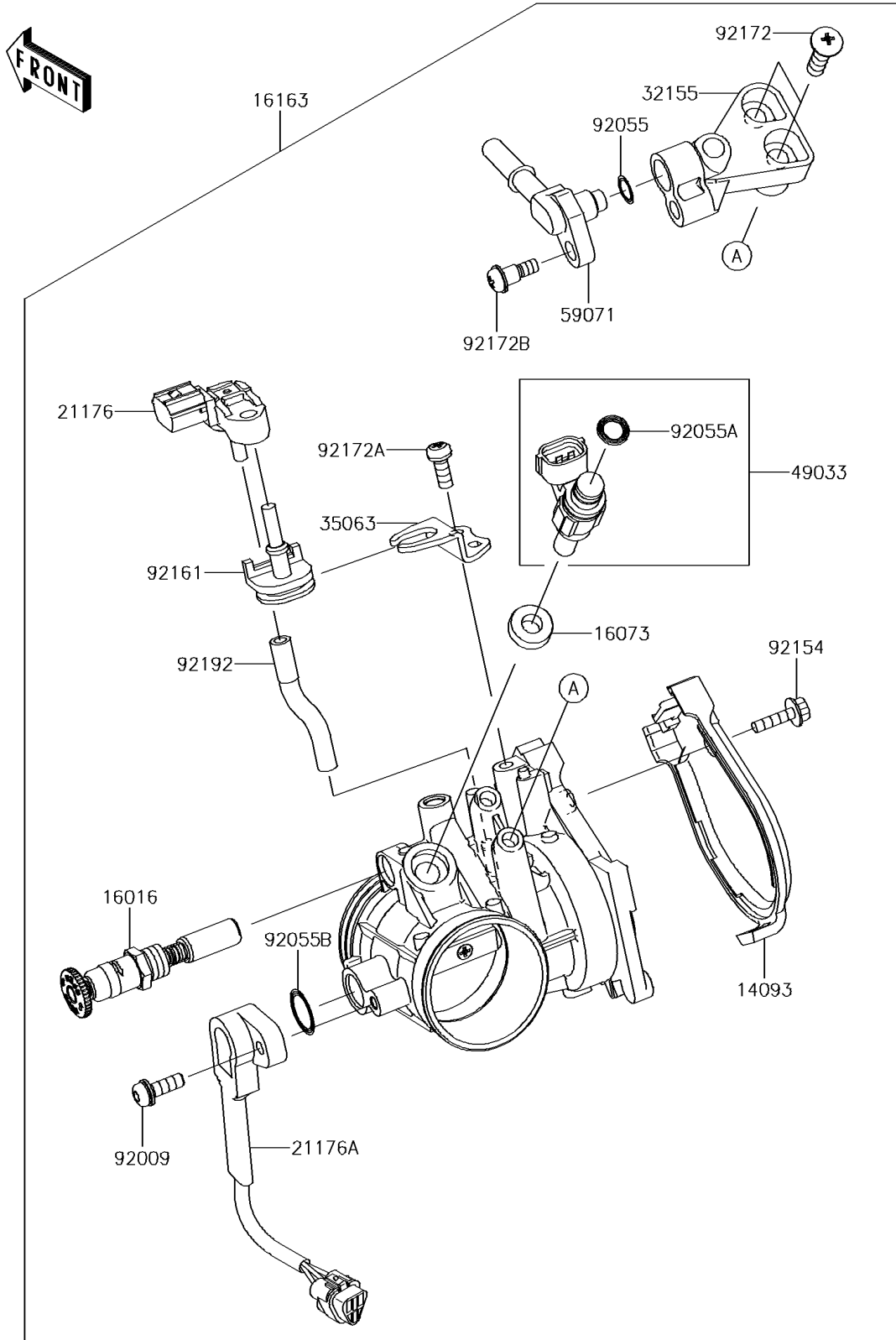


# 2018 KX™ 450F PARTS DIAGRAM

Throttle

E1510



## 2018 KX™ 450F PARTS LIST

### Throttle

ITEM NAME	PART NUMBER	QUANTITY
COVER,THROTTLE DUST (Ref # 14093)	14093-0431	1
PLUNGER (Ref # 16016)	16016-0026	1
INSULATOR (Ref # 16073)	16073-0129	1
THROTTLE-ASSY (Ref # 16163)	16163-0859	1
SENSOR,PRESSURE (Ref # 21176)	21176-0111	1
SENSOR,THROTTLE POSITION (Ref # 21176A)	21176-0822	1
PIPE,FUEL (Ref # 32155)	32155-2219	1
STAY (Ref # 35063)	35063-1336	1
NOZZLE-INJECTION (Ref # 49033)	49033-0036	1
JOINT (Ref # 59071)	59071-0071	1
SCREW,THROTTLE SENSOR (Ref # 92009)	92009-1981	1
RING-O (Ref # 92055)	92055-0064	1
RING-O,INJECTION NOZZLE (Ref # 92055A)	92055-0124	1
RING-O (Ref # 92055B)	92055-1671	1
BOLT (Ref # 92154)	92154-0133	1
DAMPER (Ref # 92161)	92161-0673	1
SCREW,PIPE INJECTION (Ref # 92172)	92172-0064	2
SCREW (Ref # 92172A)	92172-0393	1
SCREW (Ref # 92172B)	92172-0776	1
TUBE (Ref # 92192)	92192-1642	1