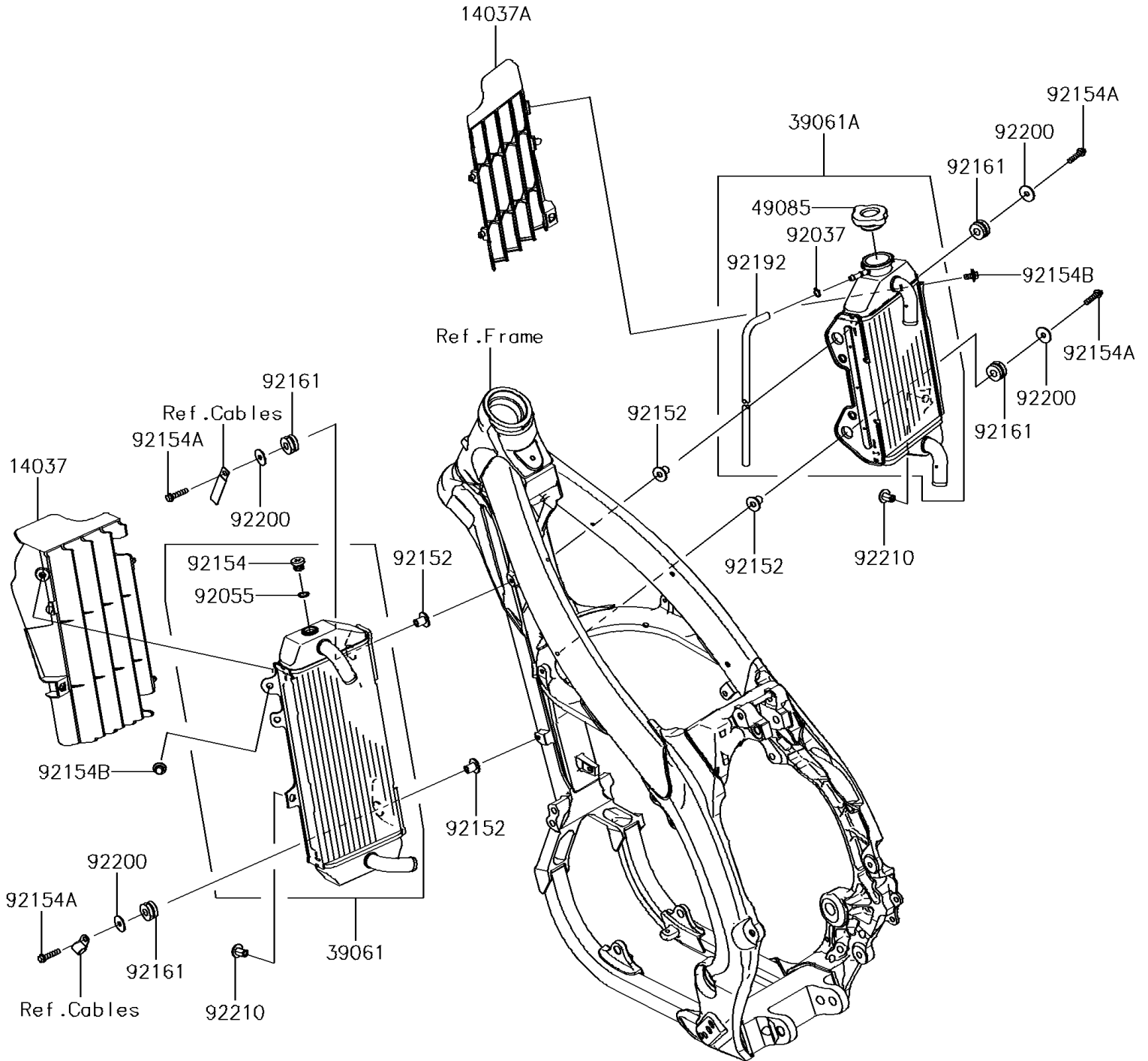


# 2018 KX™ 450F PARTS DIAGRAM

Radiator

E3032



## 2018 KX™ 450F PARTS LIST

### Radiator

| ITEM NAME                        | PART NUMBER   | QUANTITY |
|----------------------------------|---------------|----------|
| SCREEN,LH,EBONY (Ref # 14037)    | 14037-0767-6C | 1        |
| SCREEN,RH,EBONY (Ref # 14037A)   | 14037-0768-6C | 1        |
| RADIATOR-ASSY,LH (Ref # 39061)   | 39061-0709    | 1        |
| RADIATOR-ASSY,RH (Ref # 39061A)  | 39061-0710    | 1        |
| CAP-ASSY-PRESSURE (Ref # 49085)  | 49085-0006    | 1        |
| CLAMP (Ref # 92037)              | 92037-1610    | 1        |
| RING-O (Ref # 92055)             | 92055-0866    | 1        |
| COLLAR (Ref # 92152)             | 92152-0666    | 4        |
| BOLT,AIR VENT (Ref # 92154)      | 92154-1738    | 1        |
| BOLT,FLANGED,6X25 (Ref # 92154A) | 92154-1928    | 4        |
| BOLT,FLANGED,6X12 (Ref # 92154B) | 92154-1931    | 2        |
| DAMPER (Ref # 92161)             | 92161-1781    | 4        |
| TUBE,L=830 (Ref # 92192)         | 92192-1490    | 1        |
| WASHER,6.5X22X1.2 (Ref # 92200)  | 92200-2108    | 4        |
| NUT (Ref # 92210)                | 92210-1452    | 2        |