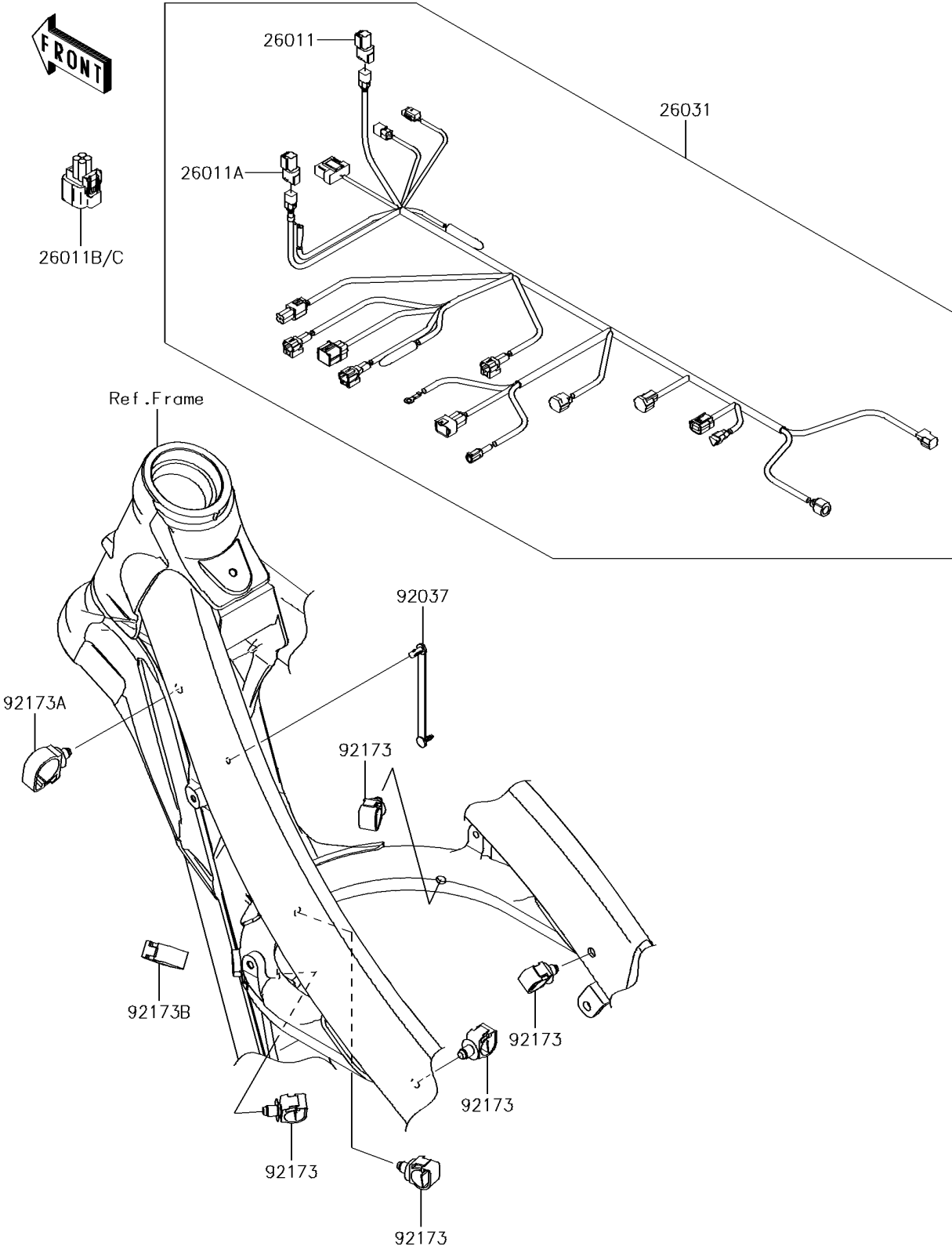


# 2018 KX™ 450F PARTS DIAGRAM

## Chassis Electrical Equipment

F2760



## 2018 KX™ 450F PARTS LIST

### Chassis Electrical Equipment

ITEM NAME	PART NUMBER	QUANTITY
WIRE-LEAD,NATURAL (Ref # 26011)	26011-0273	1
WIRE-LEAD,GREEN (Ref # 26011A)	26011-0727	1
WIRE-LEAD,MODE SELECT,BLACK (Ref # 26011B)	26011-0728	1
WIRE-LEAD,MODE SELECT,WHITE (Ref # 26011C)	26011-0748	1
HARNESS,MAIN (Ref # 26031)	26031-2096	1
CLAMP,SPEED,L=80.5 (Ref # 92037)	92037-1903	1
CLAMP,12MM DIA. (Ref # 92173)	92173-0736	5
CLAMP (Ref # 92173A)	92173-0861	1
CLAMP,HARNESS (Ref # 92173B)	92173-1156	1