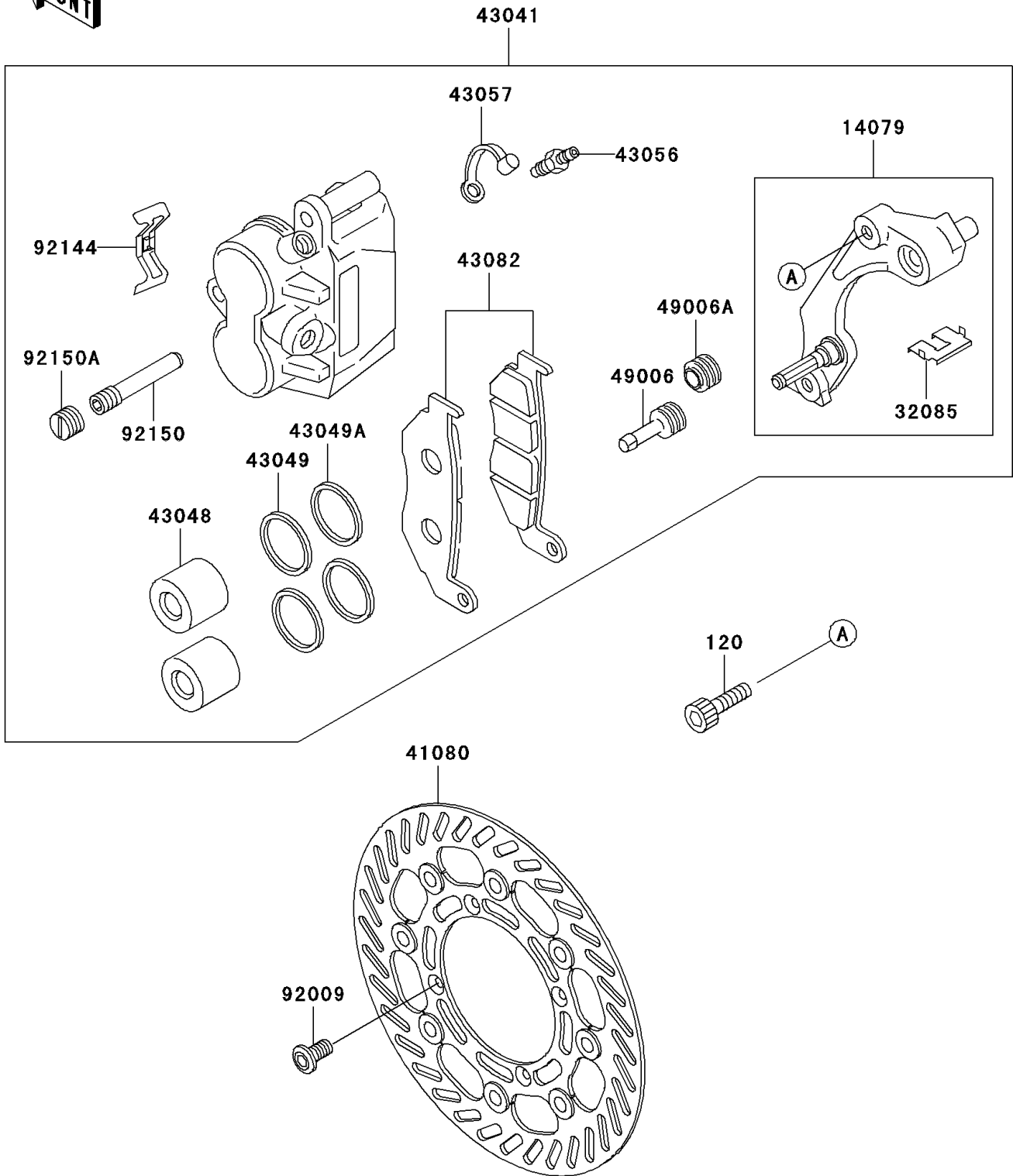


1998 KLX300R PARTS DIAGRAM

Front Brake

F2292



1998 KLX300R PARTS LIST

Front Brake

ITEM NAME	PART NUMBER	QUANTITY
BOLT-SOCKET,8X40 (Ref # 120)	120P0840	2
HOLDER-ASSY,FRONT CALIPER (Ref # 14079)	14079-1097	1
STOPPER,PAD (Ref # 32085)	32085-1361	1
DISC,FR (Ref # 41080)	41080-1387	1
CALIPER-ASSY,FR,LH (Ref # 43041)	43041-1576	1
PISTON-CALIPER (Ref # 43048)	43048-1064	2
PACKING,PISTON SEAL (Ref # 43049)	43049-1060	2
PACKING,PISTON SEAL (Ref # 43049A)	43049-1061	2
BREATHER-BRAKE (Ref # 43056)	43056-1055	1
CAP-BREATHER (Ref # 43057)	43057-1001	1
PAD-ASSY-BRAKE (Ref # 43082)	43082-1172	1
BOOT,CALIPER (Ref # 49006)	49006-1088	1
BOOT,CALIPER (Ref # 49006A)	49006-1242	1
SCREW,6X14 (Ref # 92009)	92009-1546	4
SPRING,PAD (Ref # 92144)	92144-1721	1
BOLT,HANGER (Ref # 92150)	92150-1691	1
BOLT,PLUG (Ref # 92150A)	92150-1692	1