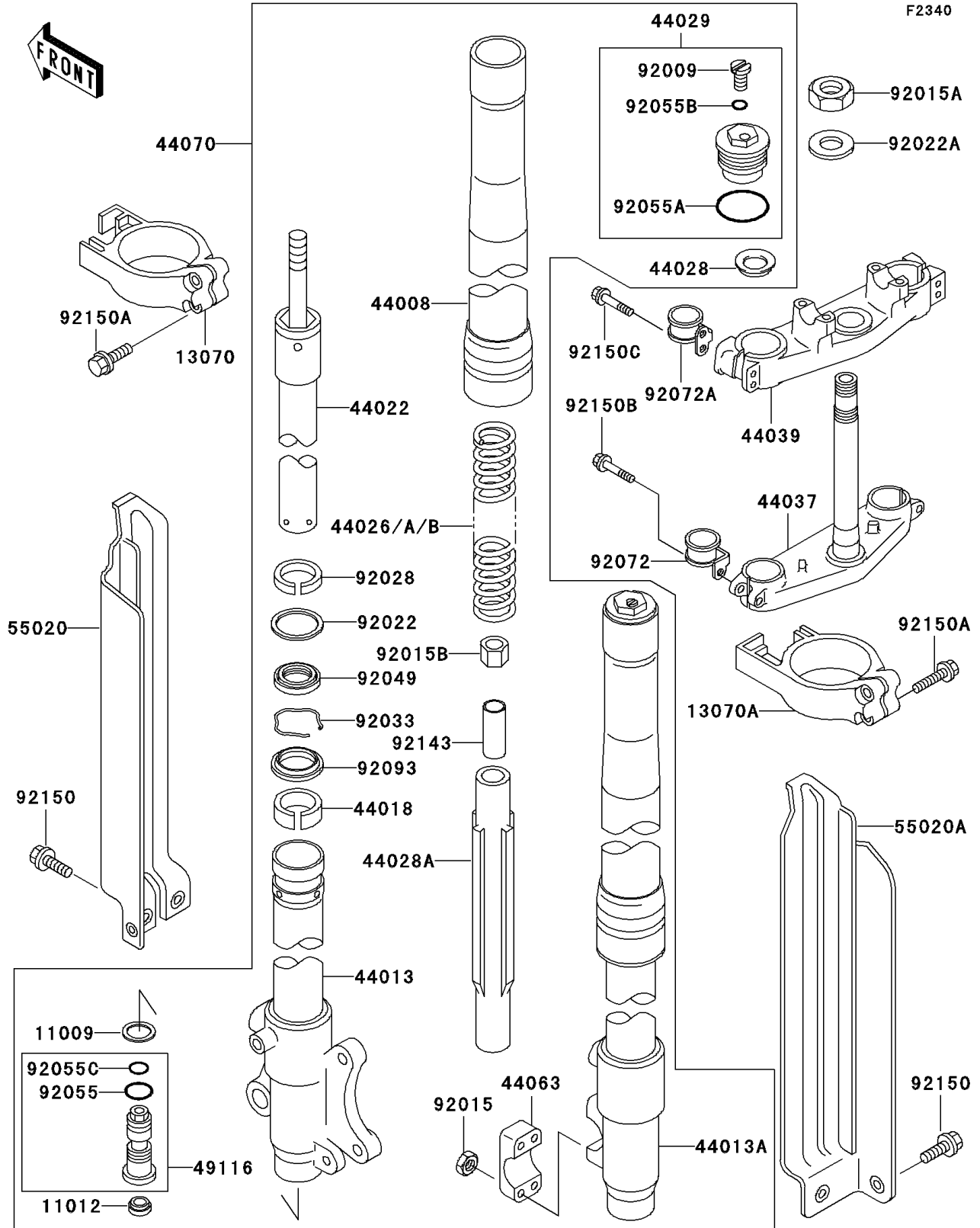


1997 KLX300R PARTS DIAGRAM

Front Fork



1997 KLX300R PARTS LIST

Front Fork

ITEM NAME	PART NUMBER	QUANTITY
GASKET,FORK CYLINDER BOLT (Ref # 11009)	11009-1592	2
CAP,FORK CYLINDER (Ref # 11012)	11012-1381	2
GUIDE,FORK,LH,WHITE (Ref # 13070)	13070-1263-RZ	1
GUIDE,FORK,RH,WHITE (Ref # 13070A)	13070-1264-RZ	1
PIPE-FORK OUTER,GOLD (Ref # 44008)	44008-1028-14	2
PIPE-FORK INNER,LH (Ref # 44013)	44013-1387	1
PIPE-FORK INNER,RH (Ref # 44013A)	44013-1388	1
PISTON-FORK,INNER PIPE (Ref # 44018)	44018-1056	2
CYLINDER-FORK (Ref # 44022)	44022-1314	2
SPRING-FRONT FORK,K=0.35 (Ref # 44026)	44026-1551	2
SPRING-FRONT FORK,K=0.37 (Ref # 44026A)	44026-1552	2
SPRING-FRONT FORK,K=0.36 (Ref # 44026B)	44026-1603	2
GUIDE-FORK SPRING (Ref # 44028)	44028-1081	2
GUIDE-FORK SPRING (Ref # 44028A)	44028-1084	2
SEAT-FORK SPRING (Ref # 44029)	44029-1149	2
HOLDER-FORK UNDER (Ref # 44037)	44037-1291	1
HOLDER-FORK UPPER (Ref # 44039)	44039-1240	1
HOLDER-FRONT AXLE (Ref # 44063)	44063-1056	1
DAMPER-ASSY,FORK,GOLD (Ref # 44070)	44070-1565-14	1
VALVE-ASSY,FORK (Ref # 49116)	49116-1145	2
GUARD,FORK,LH,WHITE (Ref # 55020)	55020-1363-RZ	1
GUARD,FORK,RH,WHITE (Ref # 55020A)	55020-1423-RZ	1
SCREW (Ref # 92009)	92009-1568	2
NUT,FLANGED,6MM (Ref # 92015)	92015-1078	4
NUT,STEERING STEM,22MM (Ref # 92015A)	92015-1653	1
NUT (Ref # 92015B)	92015-1839	2
WASHER (Ref # 92022)	92022-1299	2
WASHER,STEERING STEM (Ref # 92022A)	92022-1873	1
BUSHING (Ref # 92028)	92028-1581	2

1997 KLX300R PARTS LIST

Front Fork

ITEM NAME	PART NUMBER	QUANTITY
RING-SNAP (Ref # 92033)	92033-1077	2
SEAL-OIL (Ref # 92049)	92049-1373	2
RING-O (Ref # 92055)	92055-1156	2
RING-O,FORK,AIR TUBE (Ref # 92055A)	92055-1333	2
RING-O (Ref # 92055B)	92055-1441	2
RING-O,FORK VALVE (Ref # 92055C)	92055-1502	2
BAND (Ref # 92072)	92072-1267	1
BAND (Ref # 92072A)	92072-1268	1
SEAL,FORK OUTER TUBE (Ref # 92093)	92093-1342	2
COLLAR,FORK (Ref # 92143)	92143-1643	2
BOLT,6X14 (Ref # 92150)	92150-1340	5
BOLT,FLANGED,5X40 (Ref # 92150A)	92150-1434	4
BOLT,FLANGED,8X40 (Ref # 92150B)	92150-1446	2
BOLT,FLANGED,8X40 (Ref # 92150C)	92150-1516	4