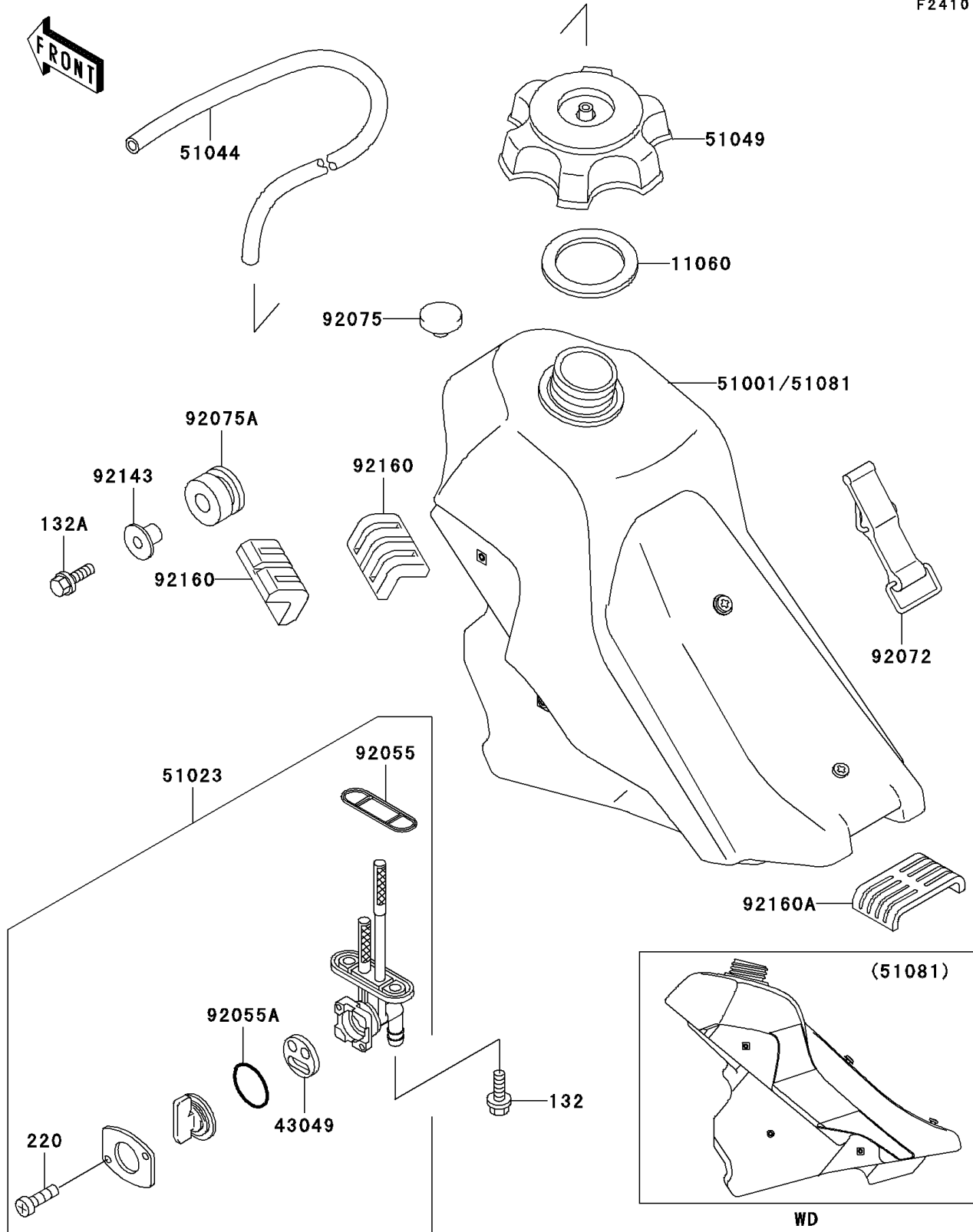


# 1999 KLX300R PARTS DIAGRAM

Fuel Tank

F2410



# 1999 KLX300R PARTS LIST

## Fuel Tank

ITEM NAME	PART NUMBER	QUANTITY
BOLT-FLANGED-SMALL (Ref # 132)	132G0612	2
BOLT-FLANGED-SMALL (Ref # 132A)	132G0620	2
SCREW-PAN-CROS (Ref # 220)	220B0308	2
GASKET,FUEL TANK CAP (Ref # 11060)	11060-1340	1
PACKING,TAP VALVE (Ref # 43049)	43049-1066	1
TANK-COMP-FUEL,L.GREEN (Ref # 51001)	51001-1506-6W	1
TAP-ASSY,FUEL (Ref # 51023)	51023-1230	1
TUBE-ASSY (Ref # 51044)	51044-1185	1
CAP-TANK,FUEL (Ref # 51049)	51049-1108	1
RING-O,FUEL TAP PACKING (Ref # 92055)	92055-1112	1
RING-O,TAP LEVER (Ref # 92055A)	92055-1419	1
BAND,FUEL TANK (Ref # 92072)	92072-1229	1
DAMPER (Ref # 92075)	92075-005	1
DAMPER,RUBBER (Ref # 92075A)	92075-1123	2
COLLAR (Ref # 92143)	92143-1353	2
DAMPER,FUEL TANK (Ref # 92160)	92160-1328	2
DAMPER,FUEL TANK,RR (Ref # 92160A)	92160-1397	1