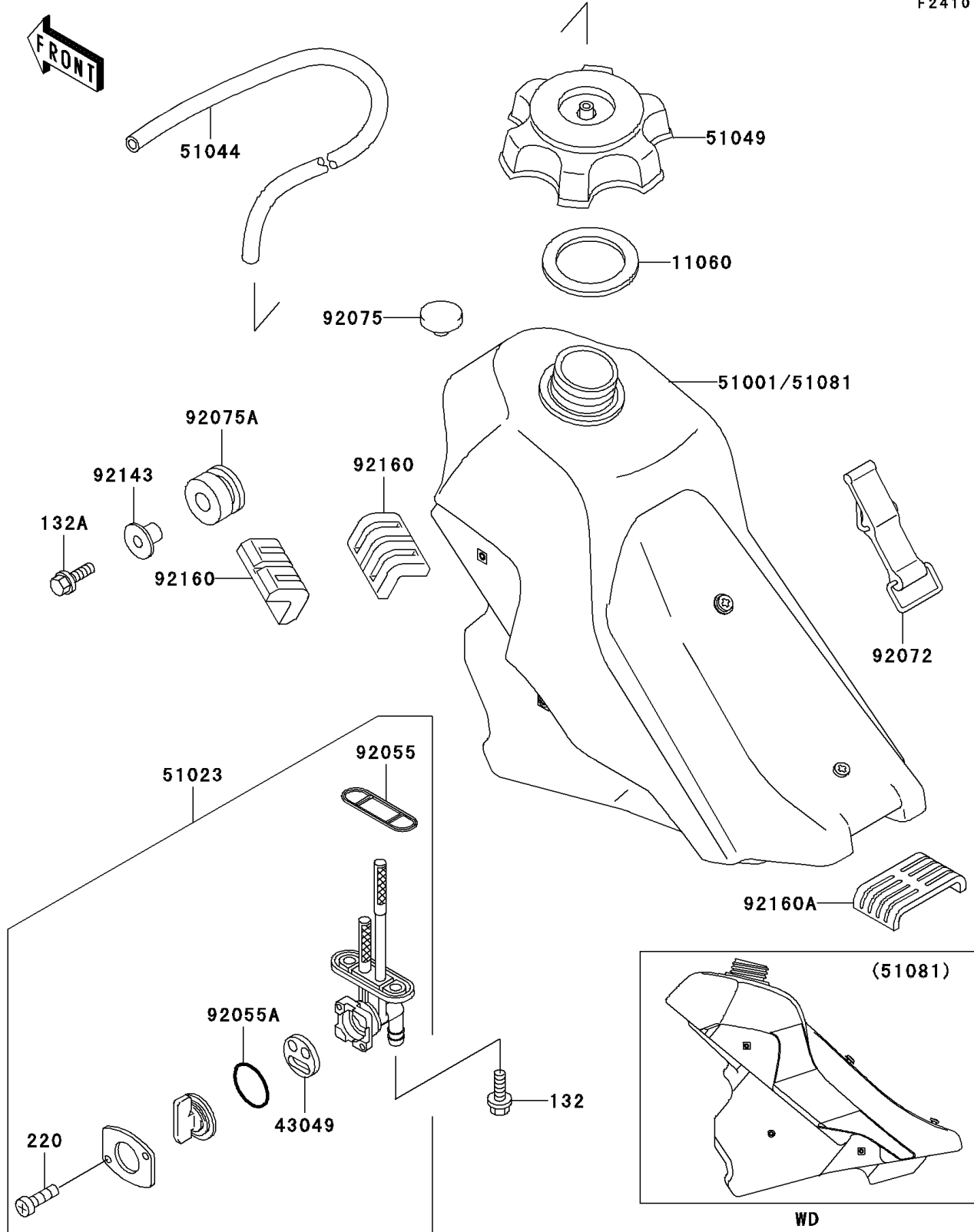


2000 KLX300R PARTS DIAGRAM

Fuel Tank

F2410



2000 KLX300R PARTS LIST

Fuel Tank

| ITEM NAME | PART NUMBER | QUANTITY |
|---------------------------------------|---------------|----------|
| BOLT-FLANGED-SMALL (Ref # 132) | 132G0612 | 2 |
| BOLT-FLANGED-SMALL (Ref # 132A) | 132G0620 | 2 |
| SCREW-PAN-CROS (Ref # 220) | 220B0308 | 2 |
| GASKET,FUEL TANK CAP (Ref # 11060) | 11060-1340 | 1 |
| PACKING,TAP VALVE (Ref # 43049) | 43049-1066 | 1 |
| TAP-ASSY,FUEL (Ref # 51023) | 51023-1230 | 1 |
| TUBE-ASSY (Ref # 51044) | 51044-1185 | 1 |
| CAP-TANK,FUEL (Ref # 51049) | 51049-1108 | 1 |
| TANK-COMP-FUEL,L.GREEN (Ref # 51081) | 51081-5203-6W | 1 |
| RING-O,FUEL TAP PACKING (Ref # 92055) | 92055-1112 | 1 |
| RING-O,TAP LEVER (Ref # 92055A) | 92055-1419 | 1 |
| BAND,FUEL TANK (Ref # 92072) | 92072-1229 | 1 |
| DAMPER (Ref # 92075) | 92075-005 | 1 |
| DAMPER,RUBBER (Ref # 92075A) | 92075-1123 | 2 |
| COLLAR (Ref # 92143) | 92143-1353 | 2 |
| DAMPER,FUEL TANK (Ref # 92160) | 92160-1328 | 2 |
| DAMPER,FUEL TANK,RR (Ref # 92160A) | 92160-1397 | 1 |