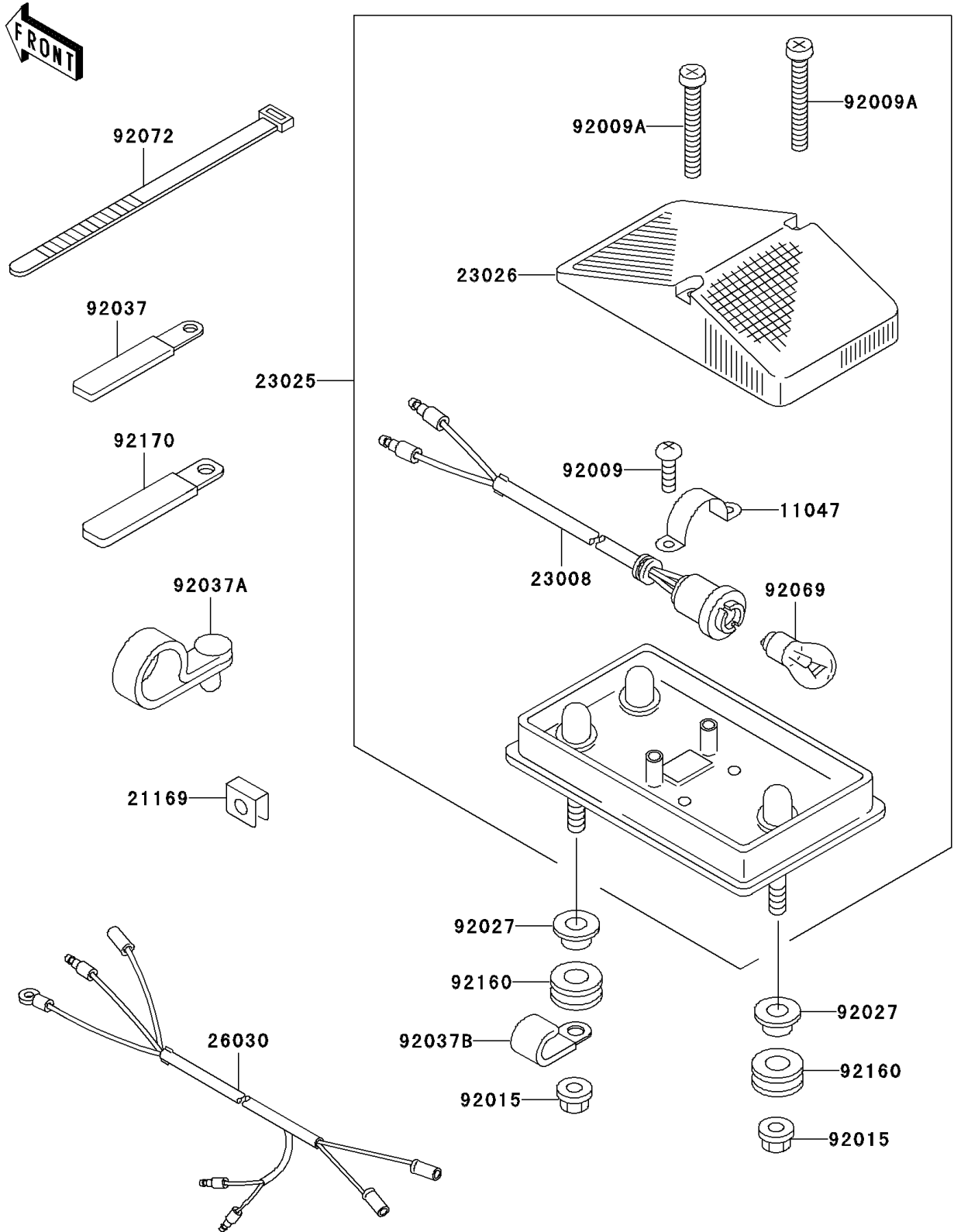


# 1997 KLX300R PARTS DIAGRAM

Taillight(s)

F2720



## 1997 KLX300R PARTS LIST

Taillight(s)

| ITEM NAME                               | PART NUMBER | QUANTITY |
|---|-------------|----------|
| BRACKET,TAIL LAMP (Ref # 11047)         | 11047-1238  | 1        |
| TERMINAL (Ref # 21169)                  | 21169-1066  | 1        |
| SOCKET-ASSY,TAIL LAMP (Ref # 23008)     | 23008-1462  | 1        |
| LAMP-TAIL (Ref # 23025)                 | 23025-1215  | 1        |
| LENS,TAIL LAMP (Ref # 23026)            | 23026-1131  | 1        |
| HARNESS,MAIN (Ref # 26030)              | 26030-1165  | 1        |
| SCREW,TAPPING,4X10 (Ref # 92009)        | 92009-1021  | 2        |
| SCREW,TAPPING,4X30 (Ref # 92009A)       | 92009-1647  | 2        |
| NUT,FLANGED,6MM (Ref # 92015)           | 92015-1367  | 3        |
| COLLAR,L=14.1 (Ref # 92027)             | 92027-1920  | 3        |
| CLAMP,WIRING HARNESS,L=60 (Ref # 92037) | 92037-1069  | 1        |
| CLAMP,SPEED,L=58 (Ref # 92037A)         | 92037-1163  | 1        |
| CLAMP,WIRING HARNESS (Ref # 92037B)     | 92037-1877  | 1        |
| BULB,12V 10W (Ref # 92069)              | 92069-1072  | 1        |
| BAND,L=202 (Ref # 92072)                | 92072-1195  | 6        |
| DAMPER (Ref # 92160)                    | 92160-1167  | 3        |
| CLAMP,L=150 (Ref # 92170)               | 92170-1114  | 1        |