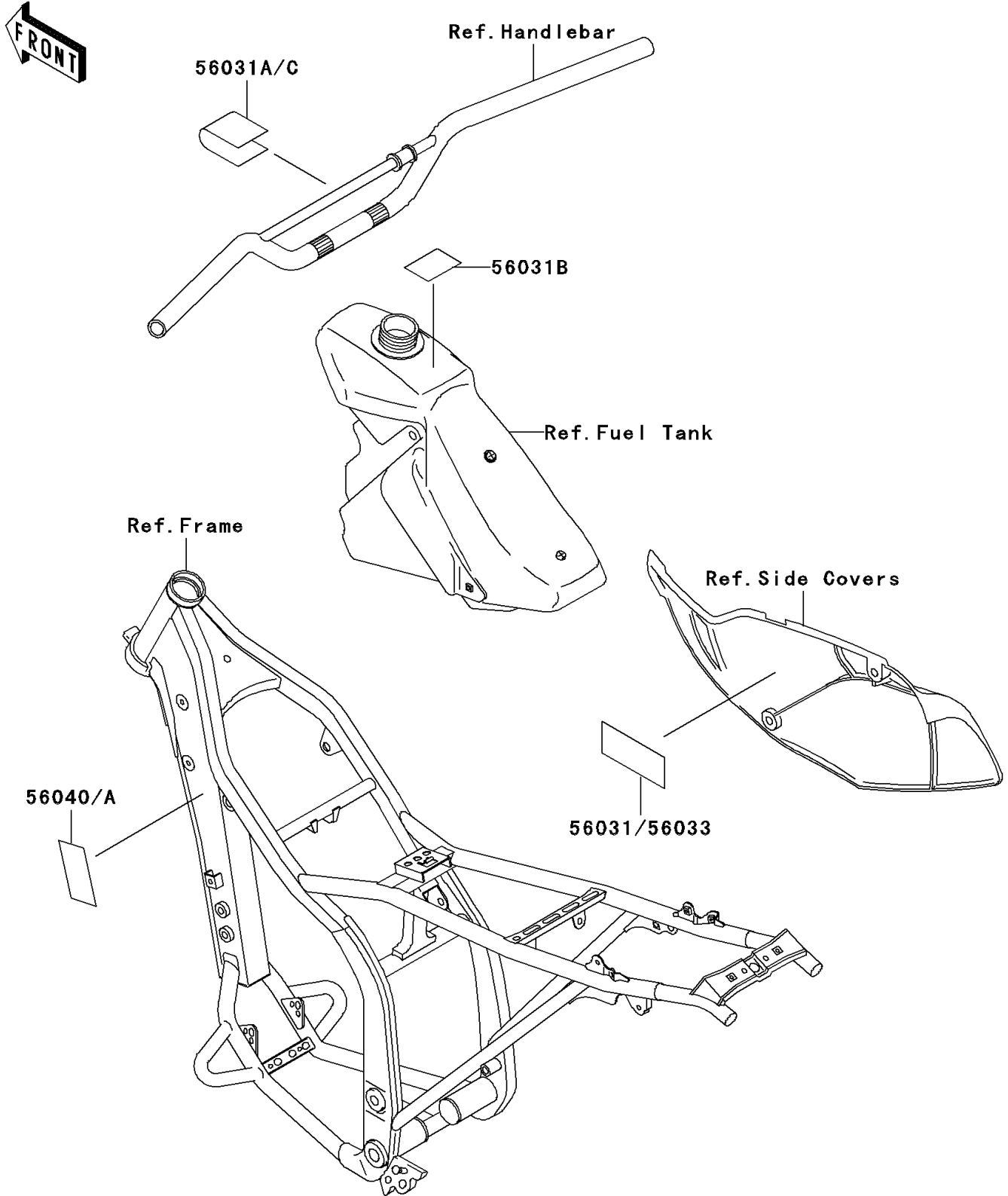


# 1999 KLX300R PARTS DIAGRAM

Labels

F2860



## 1999 KLX300R PARTS LIST

### Labels

ITEM NAME	PART NUMBER	QUANTITY
LABEL-MANUAL,OIL&OIL FILTER (Ref # 56031)	56031-1910	1
LABEL-MANUAL,ENGINE START (Ref # 56031B)	56031-1919	1
LABEL-MANUAL,ENGINE START (Ref # 56031A)	56031-1917	1
LABEL-MANUAL,ENGINE START (Ref # 56031C)	56031-1925	1
LABEL-WARNING,OFF-ROAD VEHICLE (Ref # 56040)	56040-1018	1
LABEL-WARNING,OFF-ROAD VEHICLE (Ref # 56040A)	56040-1304	1