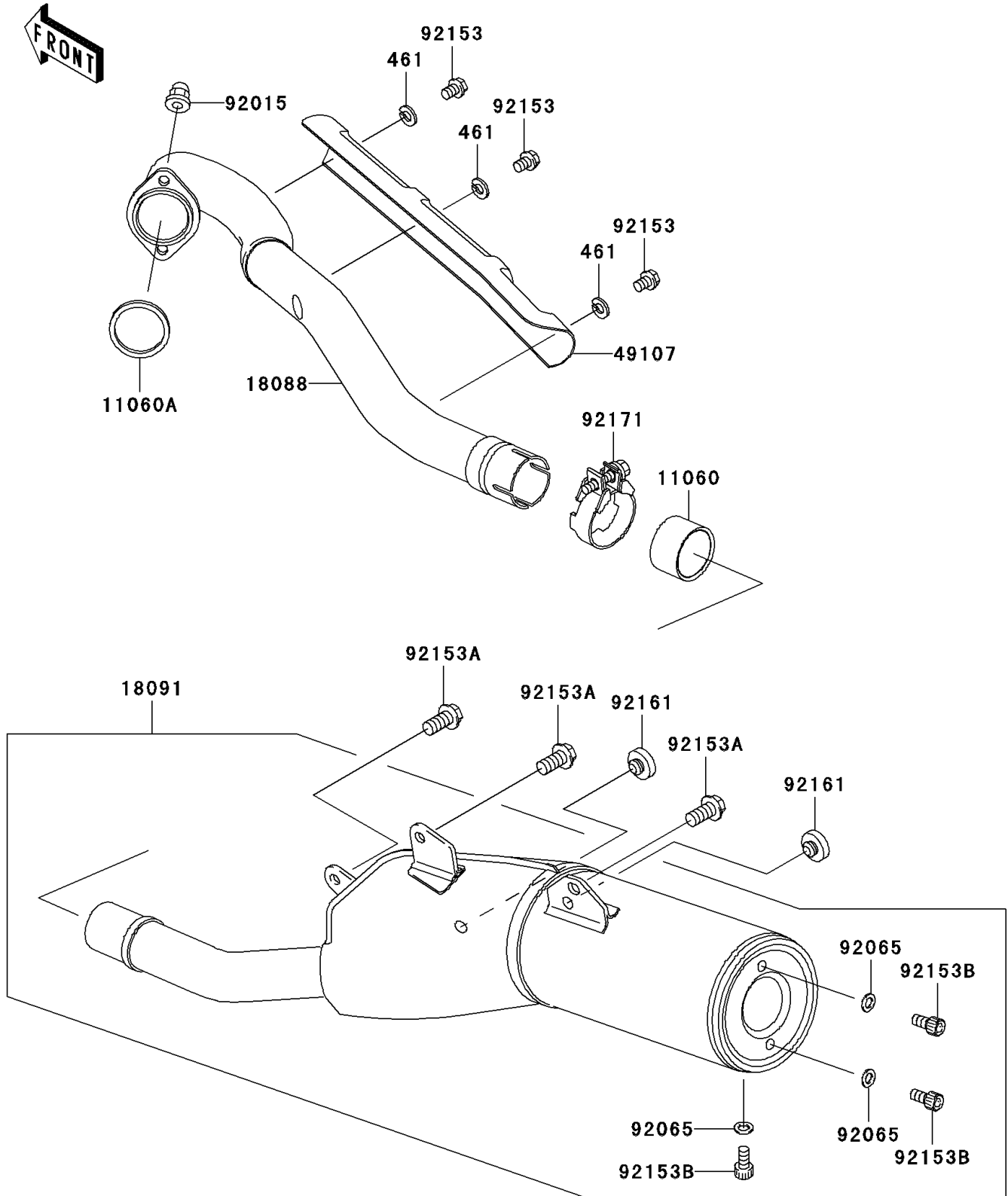


# 2007 KLX300R PARTS DIAGRAM

Muffler(s)(CN)

E1140A



## 2007 KLX300R PARTS LIST

Muffler(s)(CN)

ITEM NAME	PART NUMBER	QUANTITY
WASHER-SPRING,6MM (Ref # 461)	461S0600	3
GASKET,MANIFOLD EXHAUST (Ref # 11060)	11060-1068	1
GASKET,EXHAUST PIPE (Ref # 11060A)	11060-1203	1
PIPE-EXHAUST (Ref # 18088)	18088-0034	1
BODY-COMP-MUFFLER (Ref # 18091)	18091-0268	1
COVER-EXHAUST PIPE (Ref # 49107)	49107-0062	1
NUT,8MM (Ref # 92015)	92015-1402	2
GASKET (Ref # 92065)	92065-096	3
BOLT,6X8 (Ref # 92153)	92153-0860	3
BOLT,FLANGED,8X16 (Ref # 92153A)	92153-1308	3
BOLT,SOCKET,6X12 (Ref # 92153B)	92153-1347	3
DAMPER (Ref # 92161)	92161-0336	2
CLAMP,MUFFLER,BLACK (Ref # 92171)	92171-0564	1