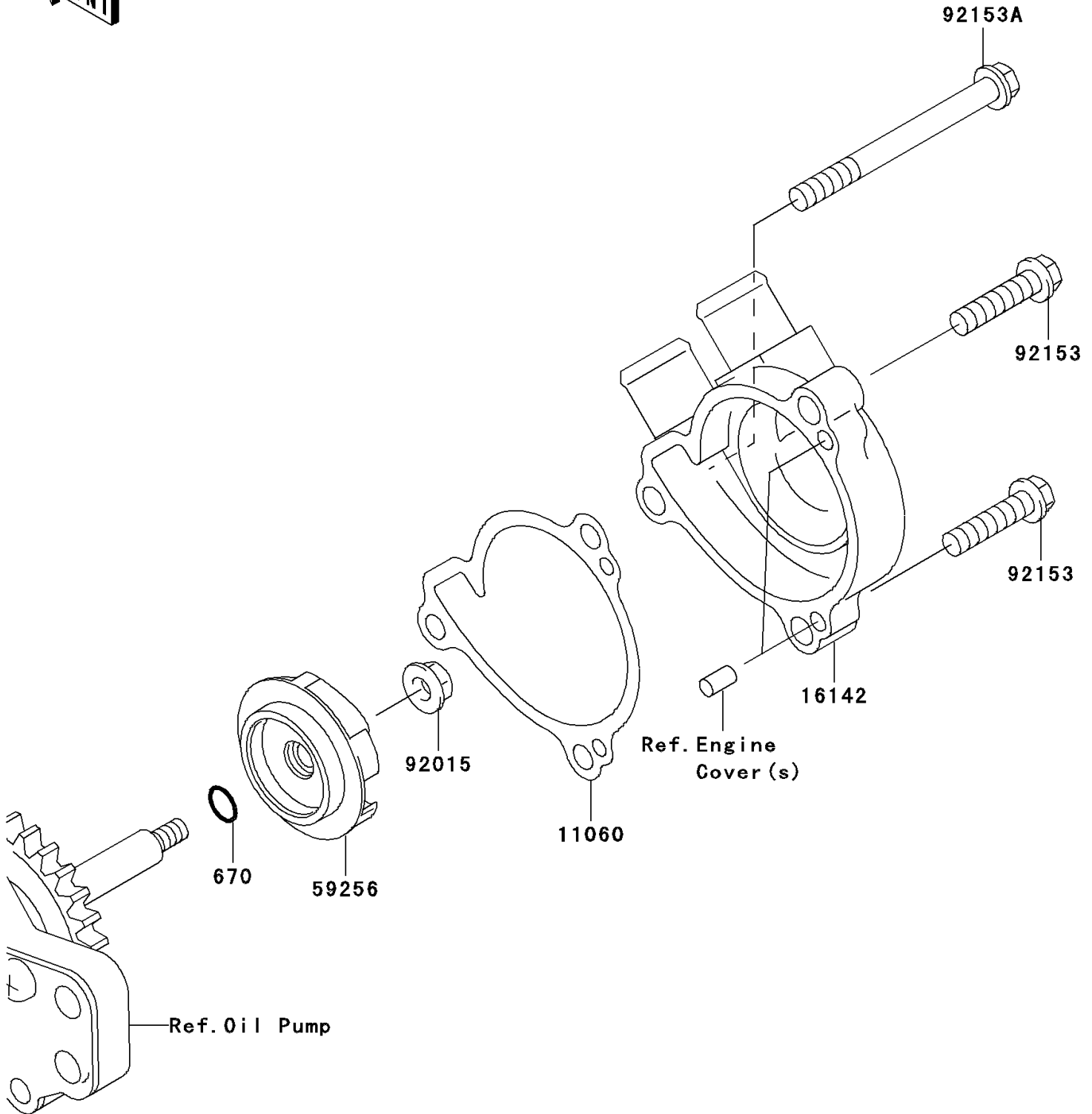


# 2006 KLX300R PARTS DIAGRAM

Water Pump

E3031



## 2006 KLX300R PARTS LIST

### Water Pump

ITEM NAME	PART NUMBER	QUANTITY
O RING,6MM (Ref # 670)	670B1506	1
GASKET,PUMP COVER (Ref # 11060)	11060-1328	1
COVER-PUMP (Ref # 16142)	16142-0022	1
IMPELLER (Ref # 59256)	59256-1063	1
NUT,FLANGED,6MM (Ref # 92015)	92015-1078	1
BOLT,FLANGED,6X25 (Ref # 92153)	92153-0604	2
BOLT,FLANGED,6X65 (Ref # 92153A)	92153-0722	1