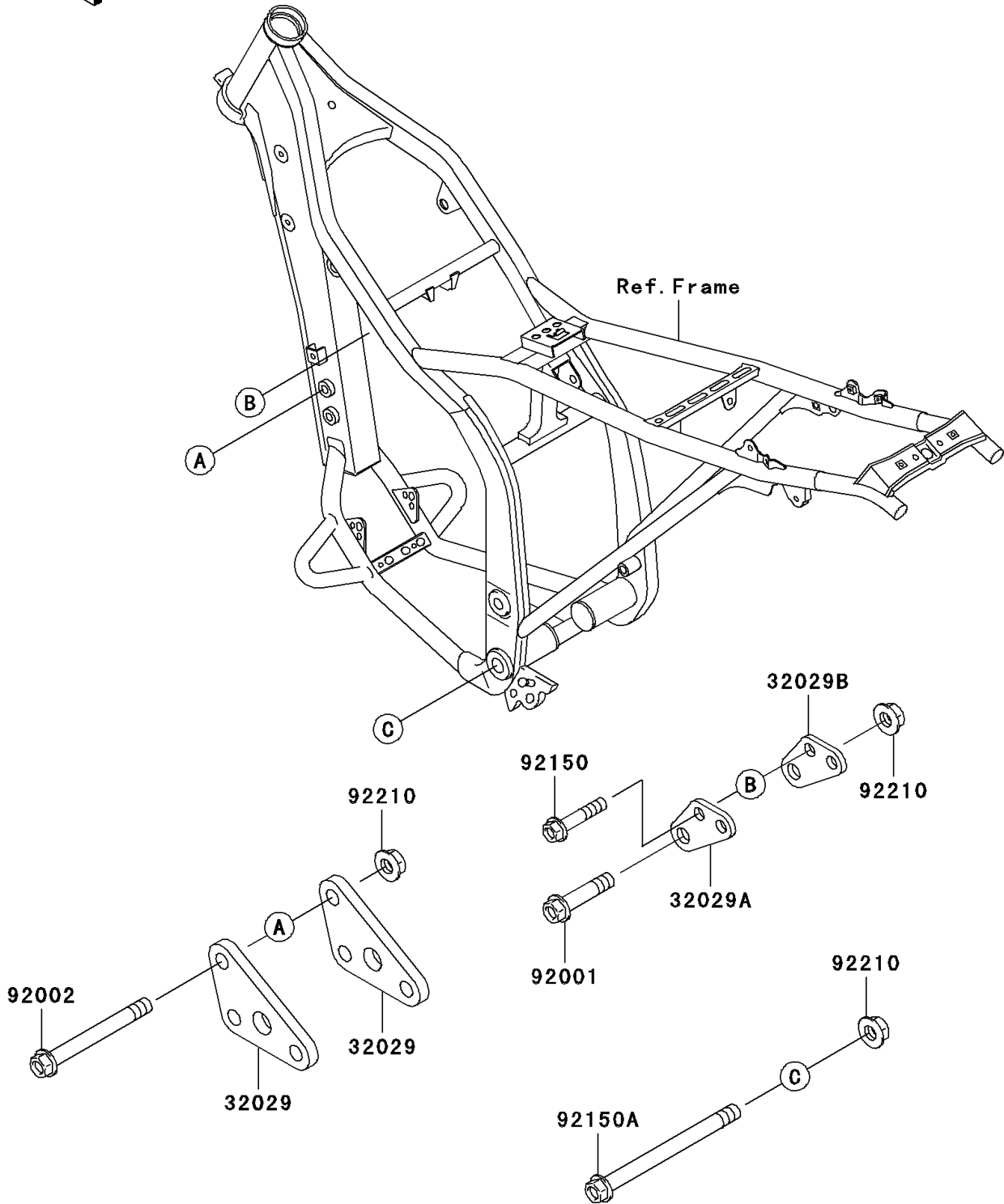


2006 KLX300R PARTS DIAGRAM

Engine Mount

F2122



2006 KLX300R PARTS LIST

Engine Mount

ITEM NAME	PART NUMBER	QUANTITY
BRACKET-ENGINE,FR (Ref # 32029)	32029-1855	2
BRACKET-ENGINE,HEAD,LH (Ref # 32029A)	32029-1886	1
BRACKET-ENGINE,HEAD,RH (Ref # 32029B)	32029-1887	1
BOLT,FLANGED,10X44 (Ref # 92001)	92001-1499	1
BOLT,10X90 (Ref # 92002)	92002-1674	3
BOLT,FLANGED,8X40 (Ref # 92150)	92150-1168	2
BOLT,FLANGED,10X120 (Ref # 92150A)	92150-1642	1
NUT,LOCK,FLANGED,10MM (Ref # 92210)	92210-1080	5