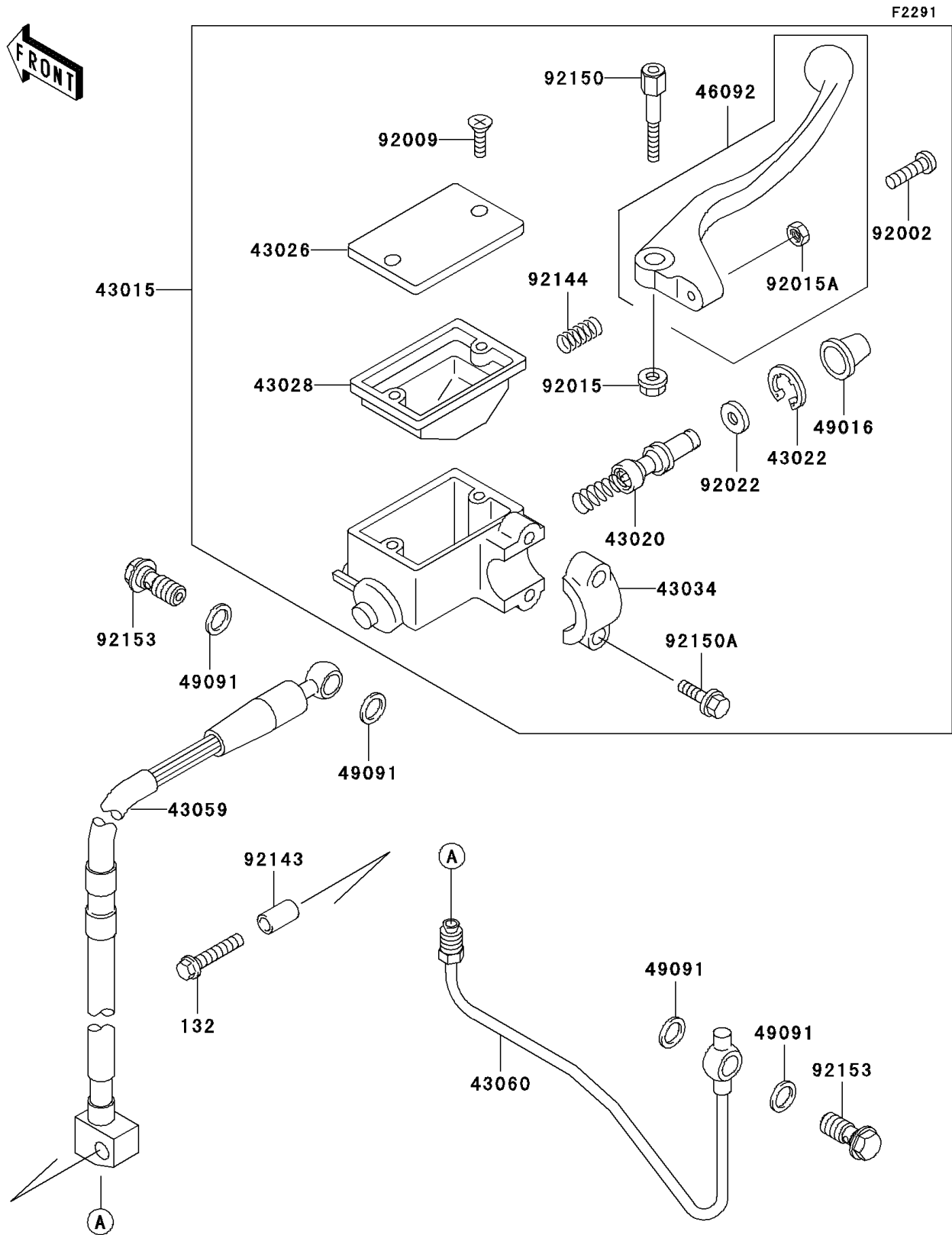


2007 KLX300R PARTS DIAGRAM

Front Master Cylinder



2007 KLX300R PARTS LIST

Front Master Cylinder

| ITEM NAME | PART NUMBER | QUANTITY |
|------------------------------------------|-------------|----------|
| BOLT-FLANGED-SMALL,6X30 (Ref # 132) | 132G0630 | 1 |
| CYLINDER-ASSY-MASTER,FR (Ref # 43015) | 43015-1588 | 1 |
| PISTON-COMP-BRAKE (Ref # 43020) | 43020-1109 | 1 |
| STOPPER-BRAKE,PISTON (Ref # 43022) | 43022-1010 | 1 |
| CAP-BRAKE (Ref # 43026) | 43026-1075 | 1 |
| DIAPHRAGM (Ref # 43028) | 43028-1067 | 1 |
| HOLDER-BRAKE (Ref # 43034) | 43034-1110 | 1 |
| HOSE-BRAKE,FR (Ref # 43059) | 43059-1693 | 1 |
| PIPE-BRAKE,FR (Ref # 43060) | 43060-1100 | 1 |
| LEVER-GRIP,FRONT BRAKE (Ref # 46092) | 46092-1186 | 1 |
| COVER-SEAL,MASTER CYLINDER (Ref # 49016) | 49016-1044 | 1 |
| WASHER-SEAL,10.1X14.5X1.5 (Ref # 49091) | 49091-0001 | 4 |
| BOLT,ADJUST (Ref # 92002) | 92002-1893 | 1 |
| SCREW,4MM (Ref # 92009) | 92009-1458 | 2 |
| NUT,FLANGED,6MM (Ref # 92015) | 92015-1528 | 1 |
| NUT,ADJUST (Ref # 92015A) | 92015-1642 | 1 |
| WASHER (Ref # 92022) | 92022-1814 | 1 |
| COLLAR,6.5X9.5X17 (Ref # 92143) | 92143-1408 | 1 |
| SPRING,RETURN (Ref # 92144) | 92144-1725 | 1 |
| BOLT,LEVER SET (Ref # 92150) | 92150-1383 | 1 |
| BOLT (Ref # 92150A) | 92150-1452 | 2 |
| BOLT,OIL,L=23 (Ref # 92153) | 92153-0627 | 2 |