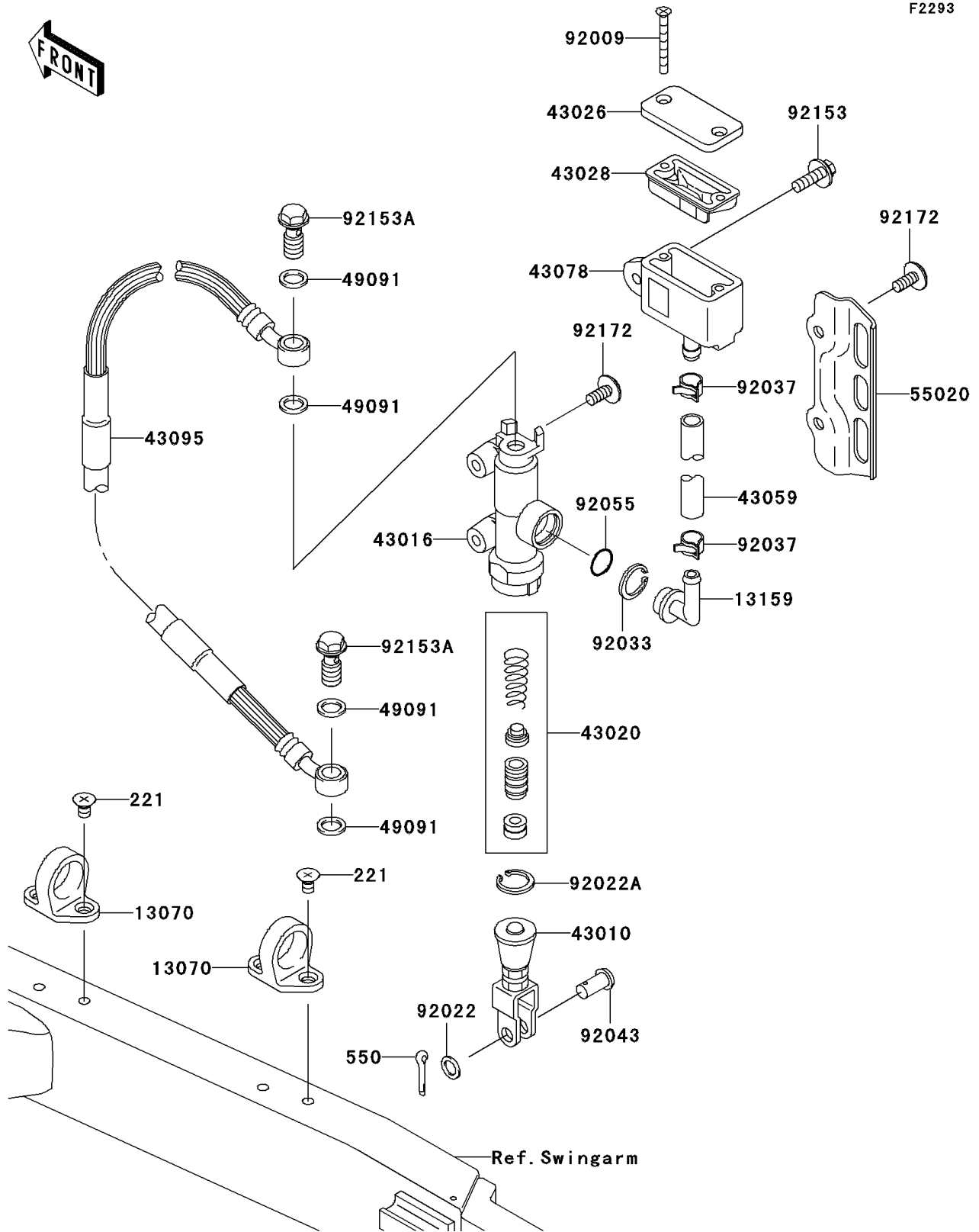


2007 KLX300R PARTS DIAGRAM

Rear Master Cylinder



2007 KLX300R PARTS LIST

Rear Master Cylinder

| ITEM NAME | PART NUMBER | QUANTITY |
|---|-------------|----------|
| SCREW-CSK-CROS,6X10 (Ref # 221) | 221B0610 | 4 |
| PIN-COTTER,2.0X15 (Ref # 550) | 550D2015 | 1 |
| GUIDE,HOSE (Ref # 13070) | 13070-1144 | 2 |
| CONNECTOR (Ref # 13159) | 13159-1056 | 1 |
| ROD-ASSY-BRAKE (Ref # 43010) | 43010-1068 | 1 |
| CYLINDER-MASTER (Ref # 43016) | 43016-1149 | 1 |
| PISTON-COMP-BRAKE (Ref # 43020) | 43020-1094 | 1 |
| CAP-BRAKE (Ref # 43026) | 43026-1075 | 1 |
| DIAPHRAGM (Ref # 43028) | 43028-1067 | 1 |
| HOSE-BRAKE,RR MASTER CYLINDER (Ref # 43059) | 43059-1767 | 1 |
| RESERVOIR (Ref # 43078) | 43078-1189 | 1 |
| HOSE-BRAKE,RR (Ref # 43095) | 43095-0164 | 1 |
| WASHER-SEAL,10.1X14.5X1.5 (Ref # 49091) | 49091-0001 | 4 |
| GUARD,RR BRAKE RESERVOIR HOSE (Ref # 55020) | 55020-1489 | 1 |
| SCREW,4X40 (Ref # 92009) | 92009-1596 | 2 |
| WASHER,8.5X13X1 (Ref # 92022) | 92022-1028 | 1 |
| WASHER,CIRCRIP (Ref # 92022A) | 92022-1601 | 1 |
| RING-SNAP,20.5MM (Ref # 92033) | 92033-1186 | 1 |
| CLAMP (Ref # 92037) | 92037-1710 | 2 |
| PIN (Ref # 92043) | 92043-0004 | 1 |
| RING-O,MASTER CYLINDER (Ref # 92055) | 92055-1251 | 1 |
| BOLT,6X20 (Ref # 92153) | 92153-0502 | 1 |
| BOLT,OIL,L=23 (Ref # 92153A) | 92153-0627 | 2 |
| SCREW,6X14 (Ref # 92172) | 92172-0107 | 4 |