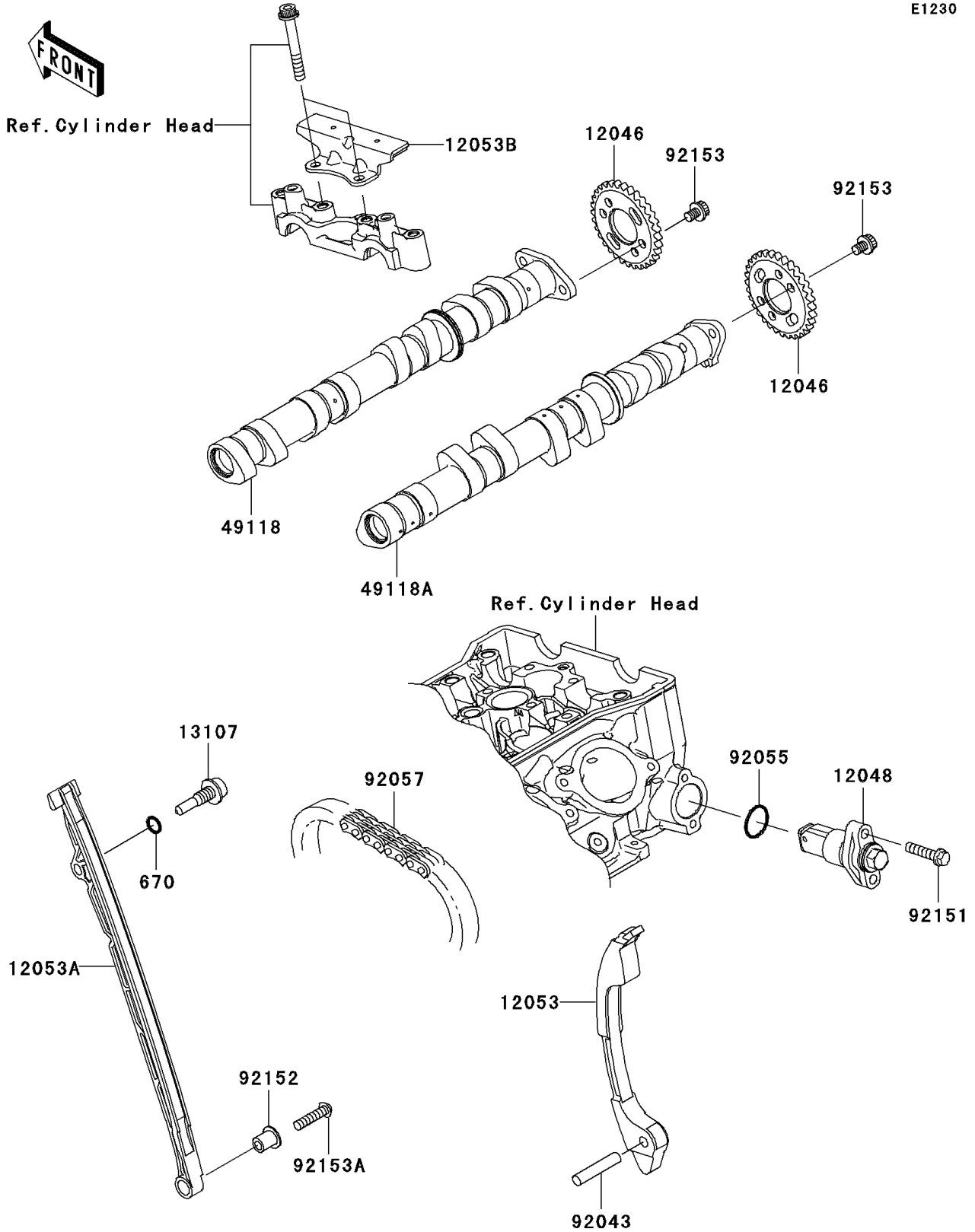


2009 Ninja ZX-6R Monster Energy PARTS DIAGRAM

Camshaft(s)/Tensioner

E1230



2009 Ninja ZX-6R Monster Energy PARTS LIST

Camshaft(s)/Tensioner

ITEM NAME	PART NUMBER	QUANTITY
SPROCKET,32T (Ref # 12046)	12046-0073	2
TENSIONER-ASSY (Ref # 12048)	12048-1181	1
GUIDE-CHAIN,RR (Ref # 12053)	12053-0085	1
GUIDE-CHAIN,FR (Ref # 12053A)	12053-0158	1
GUIDE-CHAIN,UPP (Ref # 12053B)	12053-0159	1
SHAFT,CHAIN GUIDE (Ref # 13107)	13107-0157	1
CAMSHAFT-COMP,EXHAUST (Ref # 49118)	49118-0137	1
CAMSHAFT-COMP,INTAKE (Ref # 49118A)	49118-0153	1
O RING,9MM (Ref # 670)	670D1509	1
PIN,7X36.4 (Ref # 92043)	92043-0114	1
RING-O,18.8X1.9 (Ref # 92055)	92055-086	1
CHAIN,CAM (Ref # 92057)	92057-1531	1
BOLT,FLANGED-SMALL,6X25 (Ref # 92151)	92151-1930	2
COLLAR (Ref # 92152)	92152-0413	1
BOLT,FLANGED,6X8 (Ref # 92153)	92153-0455	4
BOLT,TORX,6X25 (Ref # 92153A)	92153-1640	1