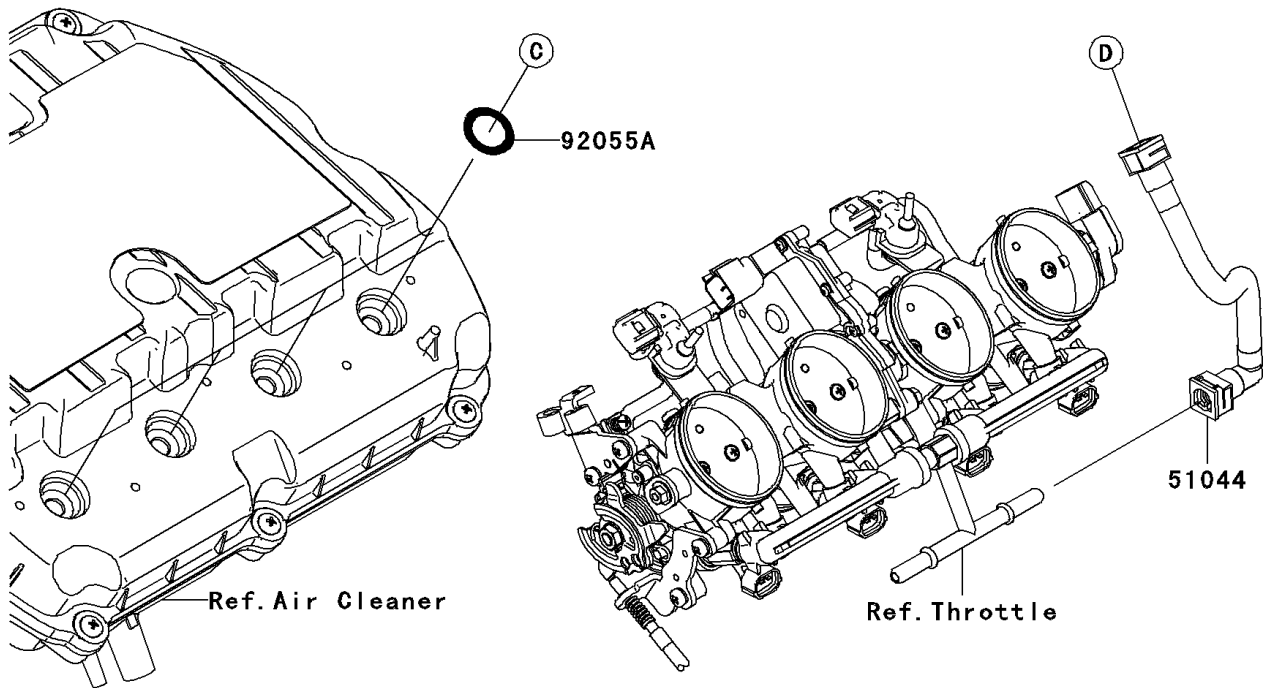
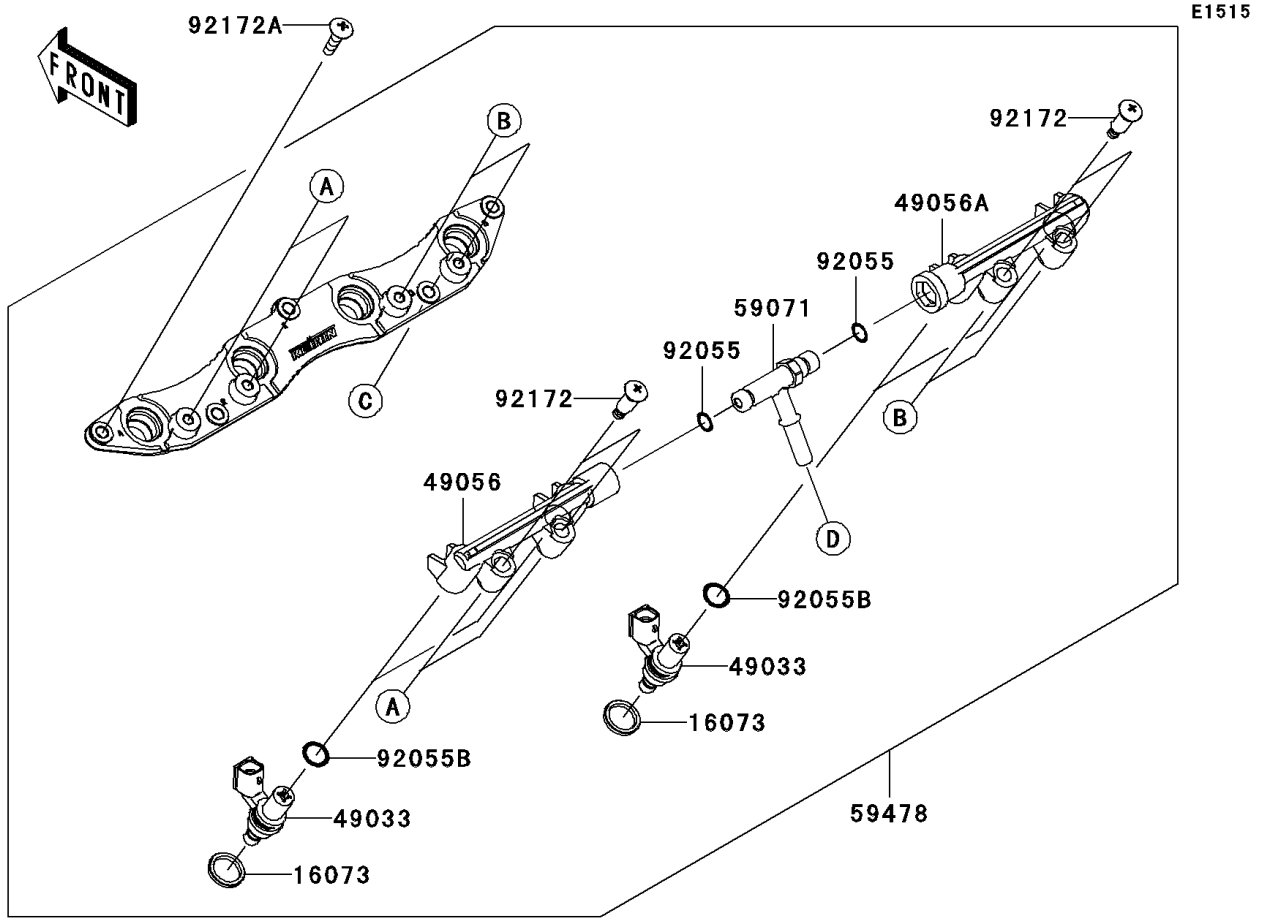


2010 Ninja® ZX™-6R PARTS DIAGRAM

Top Feed Injector



2010 Ninja® ZX™-6R PARTS LIST

Top Feed Injector

ITEM NAME	PART NUMBER	QUANTITY
INSULATOR (Ref # 16073)	16073-0076	4
NOZZLE-INJECTION (Ref # 49033)	49033-0015	4
PIPE-INJECTION,LH (Ref # 49056)	49056-0015	1
PIPE-INJECTION,RH (Ref # 49056A)	49056-0027	1
TUBE-ASSY,FUEL (Ref # 51044)	51044-0068	1
JOINT (Ref # 59071)	59071-0062	1
NOZZLE-ASSY, TOP INJECTOR (Ref # 59478)	59478-0009	1
RING-O (Ref # 92055)	92055-0064	2
RING-O,3.95X19.5 (Ref # 92055A)	92055-0161	4
RING-O (Ref # 92055B)	92055-0170	4
SCREW,PIPE INJECTION (Ref # 92172)	92172-0064	4
SCREW (Ref # 92172A)	92172-1072	5