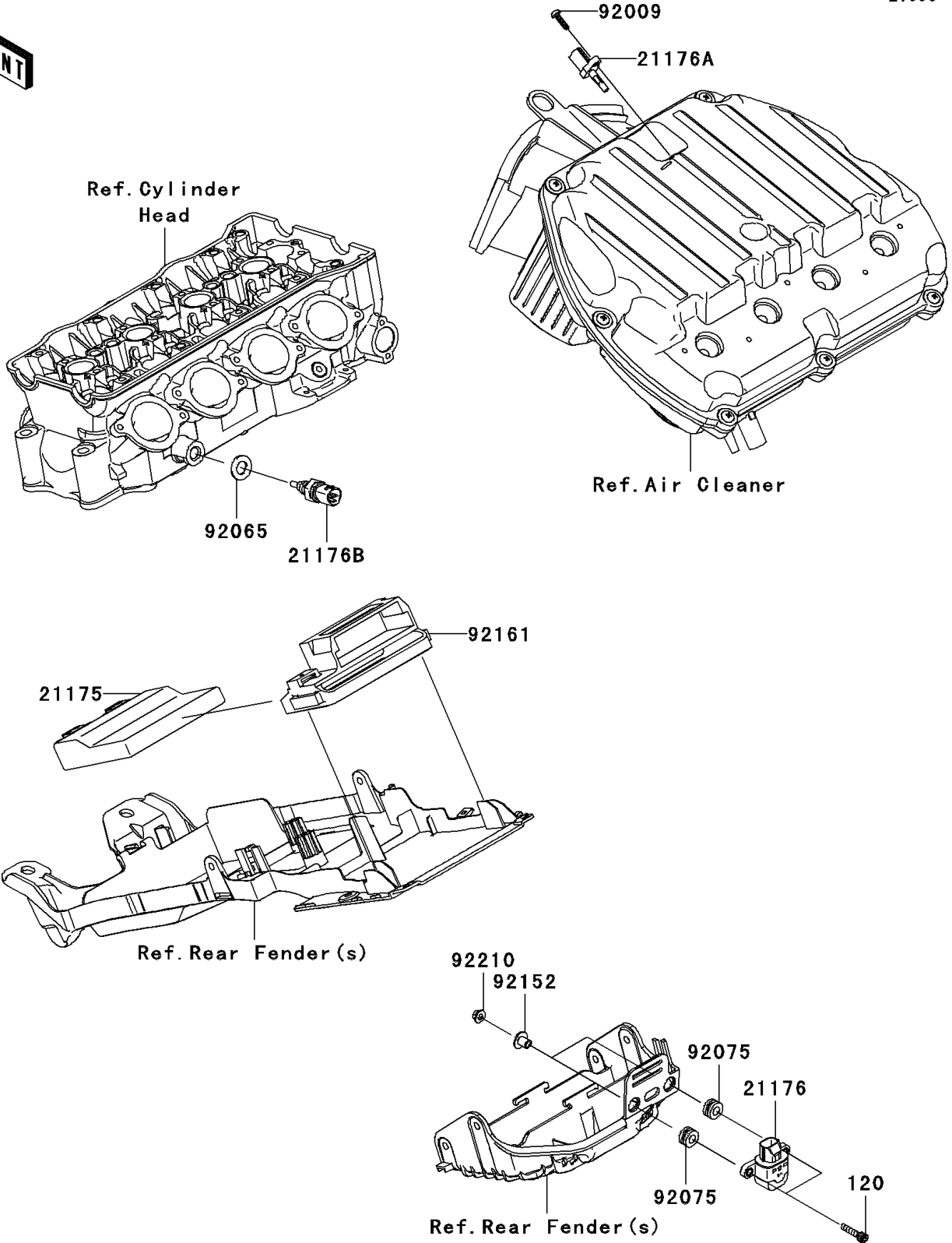


2009 Ninja ZX-6R Monster Energy PARTS DIAGRAM

Fuel Injection

E1530



2009 Ninja ZX-6R Monster Energy PARTS LIST

Fuel Injection

ITEM NAME	PART NUMBER	QUANTITY
BOLT-SOCKET,5X22 (Ref # 120)	120CB0522	2
CONTROL UNIT-ELECTRONIC (Ref # 21175)	21175-0221	1
SENSOR,VEHICLE-DOWN (Ref # 21176)	21176-0026	1
SENSOR,AIR TEMPERATURE (Ref # 21176A)	21176-0048	1
SENSOR,WATER TEMP (Ref # 21176B)	21176-1120	1
SCREW,TAPPING,5X16 (Ref # 92009)	92009-1984	1
GASKET,12X22X2 (Ref # 92065)	92065-097	1
DAMPER (Ref # 92075)	92075-1912	2
COLLAR (Ref # 92152)	92152-0134	2
DAMPER,ECU (Ref # 92161)	92161-0529	1
NUT,FLANGED,5MM (Ref # 92210)	92210-0007	2