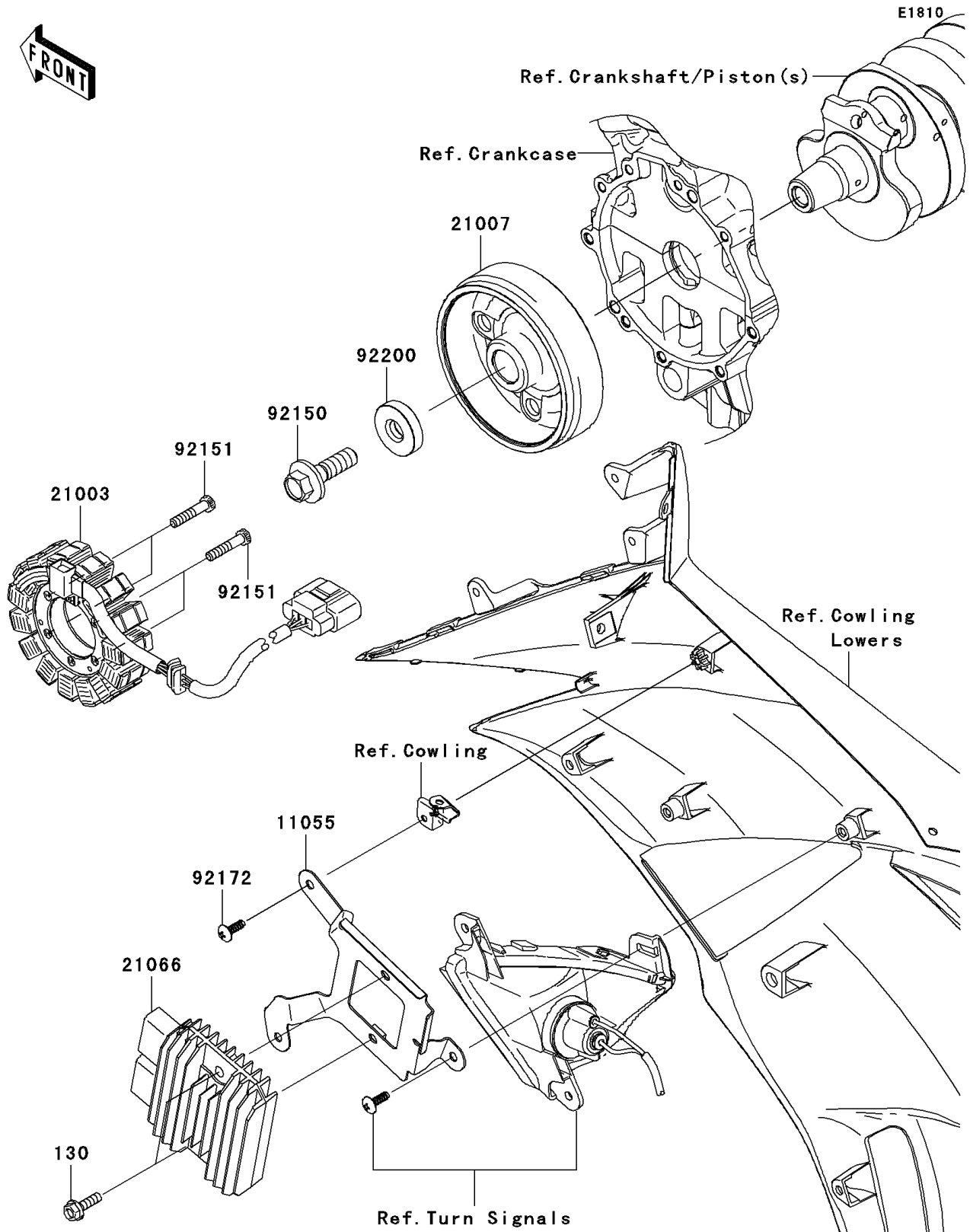


2009 Ninja ZX-6R Monster Energy PARTS DIAGRAM

Generator



2009 Ninja ZX-6R Monster Energy PARTS LIST

Generator

ITEM NAME	PART NUMBER	QUANTITY
BRACKET,REGULATOR (Ref # 11055)	11055-1158	1
BOLT-FLANGED,6X20 (Ref # 130)	130BB0620	2
STATOR (Ref # 21003)	21003-0083	1
ROTOR (Ref # 21007)	21007-0123	1
REGULATOR-VOLTAGE (Ref # 21066)	21066-0028	1
BOLT,12X40 (Ref # 92150)	92150-1717	1
BOLT,6X30 (Ref # 92151)	92151-1626	4
SCREW,TAPPING,5X16 (Ref # 92172)	92172-0175	1
WASHER,12X36X8 (Ref # 92200)	92200-1249	1