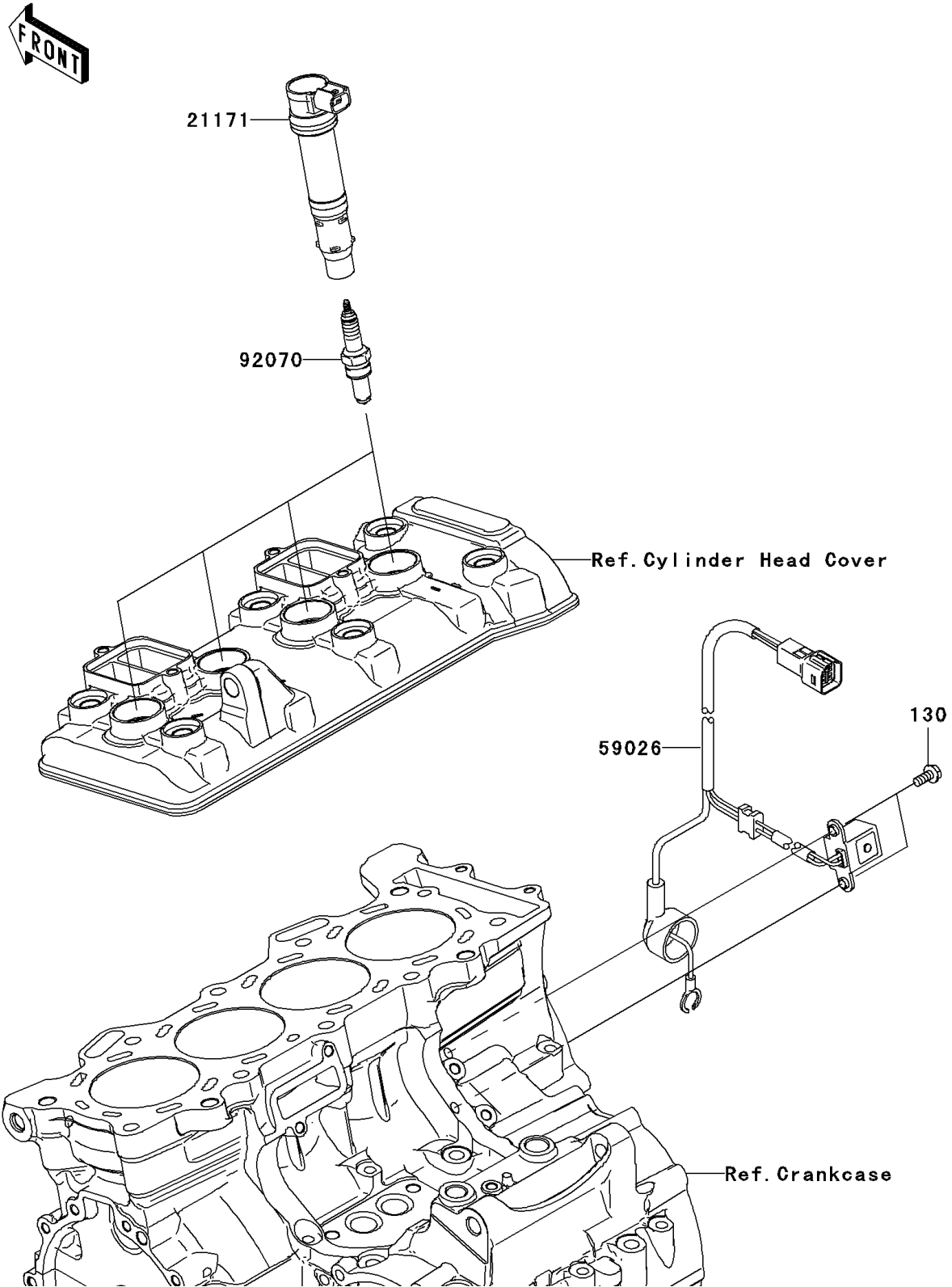


# 2009 Ninja ZX-6R Monster Energy PARTS DIAGRAM

Ignition System

E1830



## 2009 Ninja ZX-6R Monster Energy PARTS LIST

### Ignition System

ITEM NAME	PART NUMBER	QUANTITY
BOLT-FLANGED,5X12 (Ref # 130)	130BA0512	2
COIL-ASSY-IGNITION (Ref # 21171)	21171-0021	4
COIL-PULSING (Ref # 59026)	59026-0026	1
PLUG-SPARK,CR9E(NGK) (Ref # 92070)	92070-1266	4