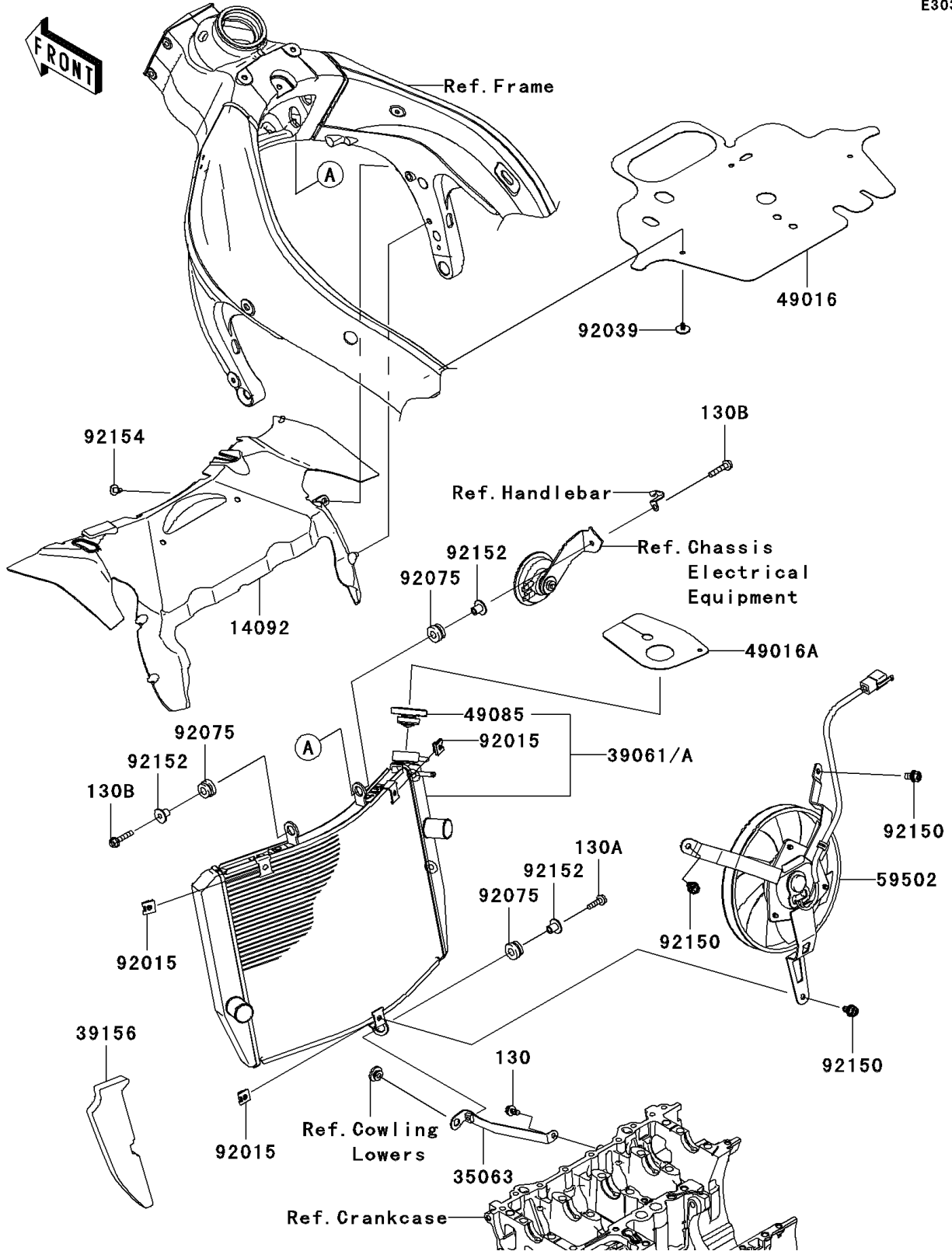


# 2009 Ninja ZX-6R Monster Energy PARTS DIAGRAM

Radiator

E3032



## 2009 Ninja ZX-6R Monster Energy PARTS LIST

### Radiator

ITEM NAME	PART NUMBER	QUANTITY
BOLT-FLANGED,6X14 (Ref # 130)	130CA0614	1
BOLT-FLANGED,6X22 (Ref # 130A)	130CA0622	1
BOLT-FLANGED,6X30 (Ref # 130B)	130CA0630	2
COVER,RAD. UPP (Ref # 14092)	14092-0004	1
STAY,RAD. LWR (Ref # 35063)	35063-0592	1
RADIATOR-ASSY (Ref # 39061)	39061-0149	1
RADIATOR-ASSY (Ref # 39061A)	39061-0161	1
PAD,RAD. LH (Ref # 39156)	39156-0467	1
COVER-SEAL,ENG RR (Ref # 49016)	49016-0055	1
COVER-SEAL,RESONATOR (Ref # 49016A)	49016-0067	1
CAP-ASSY-PRESSURE (Ref # 49085)	49085-1066	1
FAN-ASSY (Ref # 59502)	59502-0046	1
NUT (Ref # 92015)	92015-1487	3
RIVET (Ref # 92039)	92039-0065	1
DAMPER,RUBBER (Ref # 92075)	92075-1123	3
BOLT,6X12 (Ref # 92150)	92150-1186	3
COLLAR (Ref # 92152)	92152-1074	3
BOLT,SOCKET,6X12 (Ref # 92154)	92154-0204	1