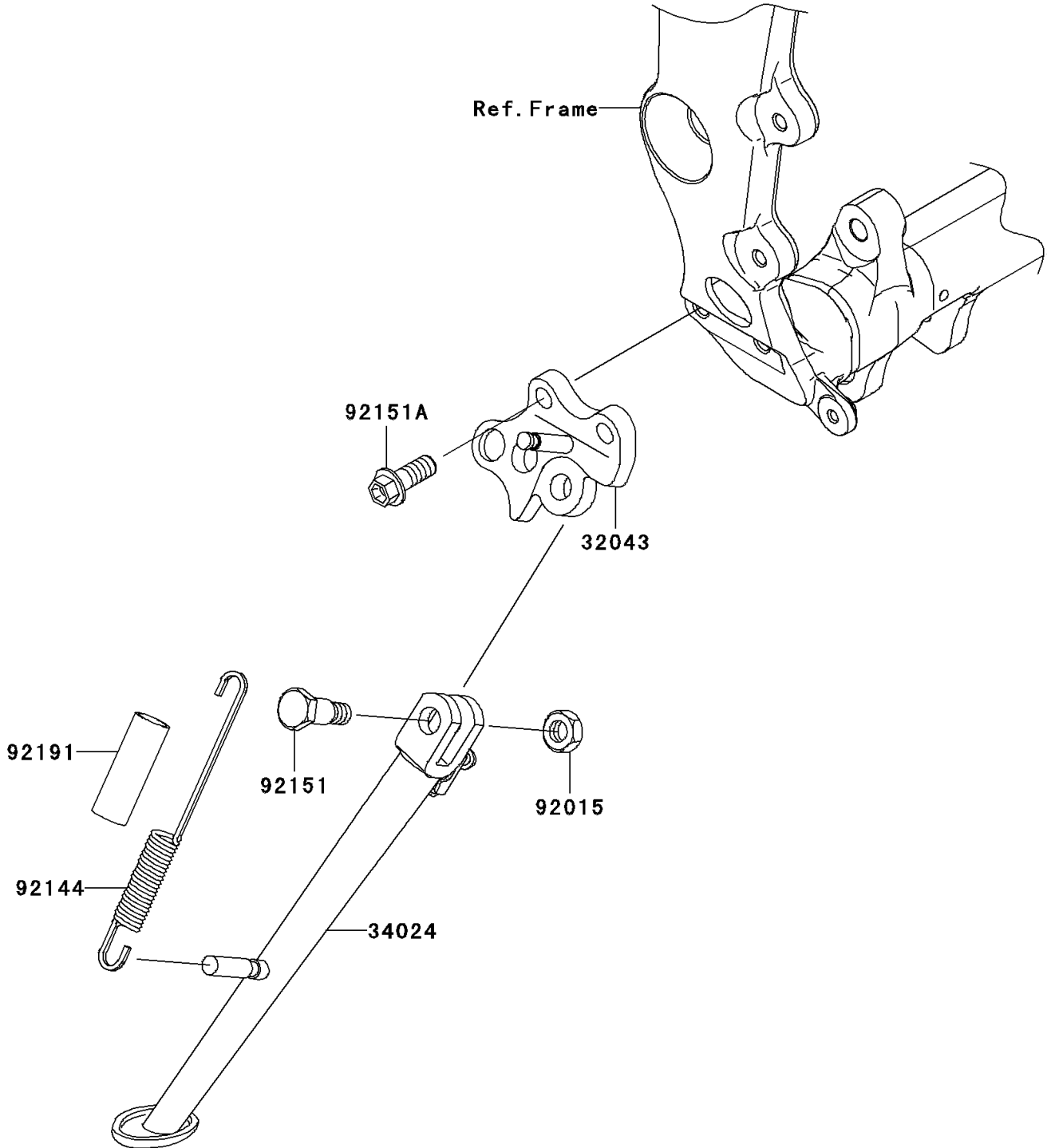


# 2009 Ninja ZX-6R Monster Energy PARTS DIAGRAM

Stand(s)

F2190



## 2009 Ninja ZX-6R Monster Energy PARTS LIST

Stand(s)

ITEM NAME	PART NUMBER	QUANTITY
BRACKET-STAND,SIDE,F.S.BLACK (Ref # 32043)	32043-0059-18R	1
STAND-SIDE (Ref # 34024)	34024-0065	1
NUT,LOCK,10MM,BLACK (Ref # 92015)	92015-1188	1
SPRING,SIDE STAND (Ref # 92144)	92144-1818	1
BOLT,SIDE STAND (Ref # 92151)	92151-1797	1
BOLT,FLANGED,10X25 (Ref # 92151A)	92151-1802	2
TUBE,13X16X60 (Ref # 92191)	92191-1001	1