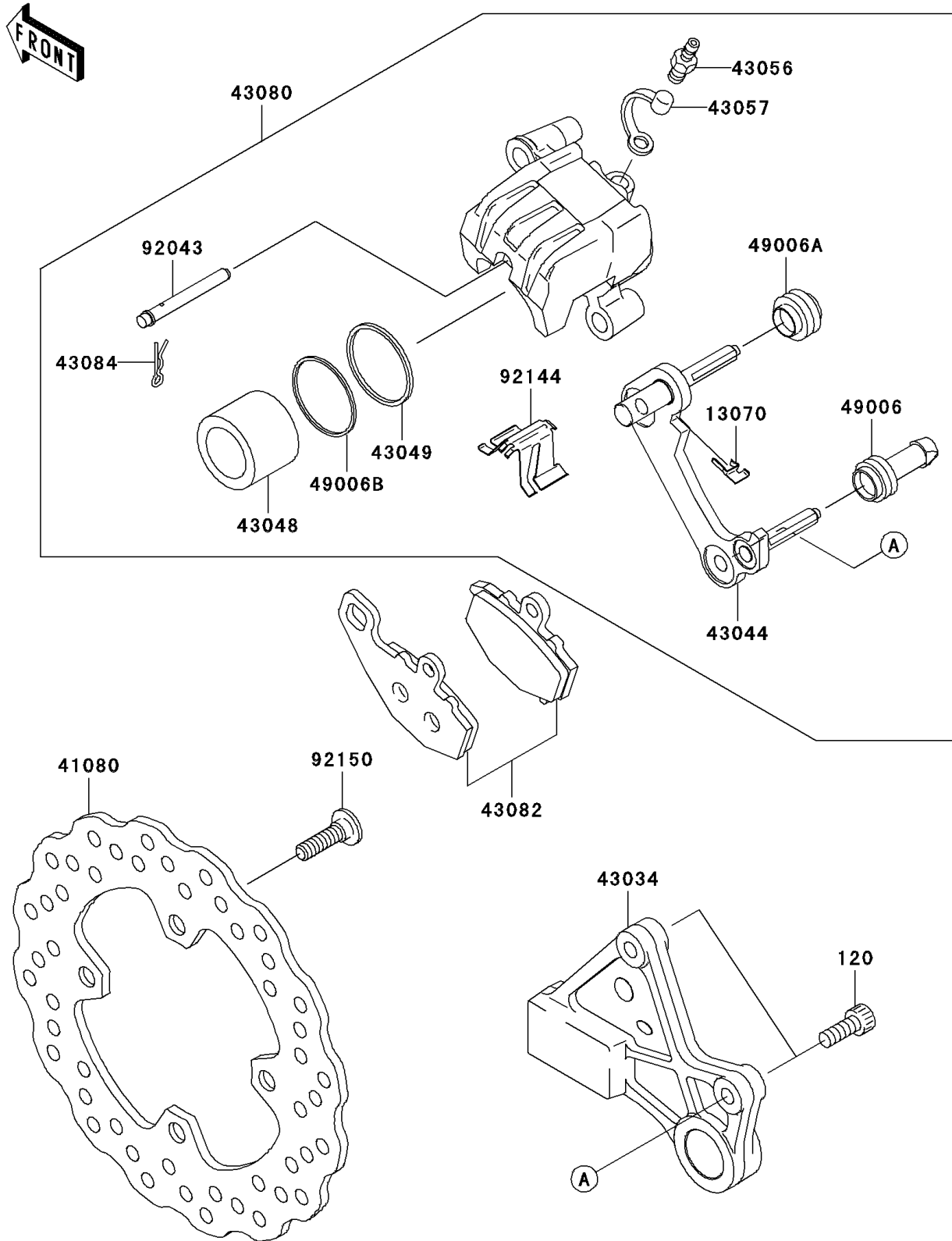


# 2009 Ninja ZX-6R Monster Energy PARTS DIAGRAM

Rear Brake

F2294



## 2009 Ninja ZX-6R Monster Energy PARTS LIST

### Rear Brake

ITEM NAME	PART NUMBER	QUANTITY
BOLT-SOCKET,8X20 (Ref # 120)	120CB0820	2
GUIDE,BRAKE PAD (Ref # 13070)	13070-0045	1
DISC,RR (Ref # 41080)	41080-0040	1
HOLDER-BRAKE,REAR CALIPER (Ref # 43034)	43034-0039	1
HOLDER-COMP-CALIPER,RR (Ref # 43044)	43044-0002	1
PISTON-CALIPER (Ref # 43048)	43048-0003	1
PACKING,PISTON SEAL (Ref # 43049)	43049-1097	1
BREATHER-BRAKE (Ref # 43056)	43056-1054	1
CAP-BREATHER (Ref # 43057)	43057-003	1
CALIPER-SUB-ASSY,RR,BLACK (Ref # 43080)	43080-0014-DJ	1
PAD-ASSY-BRAKE (Ref # 43082)	43082-0068	1
CLAMP,PAD (Ref # 43084)	43084-003	1
BOOT,CALIPER (Ref # 49006)	49006-1054	1
BOOT,CALIPER (Ref # 49006A)	49006-1095	1
BOOT,PISTON SEAL (Ref # 49006B)	49006-1212	1
PIN,PAD (Ref # 92043)	92043-1489	1
SPRING,PAD (Ref # 92144)	92144-1719	1
BOLT,SOCKET,8X30 (Ref # 92150)	92150-1771	4