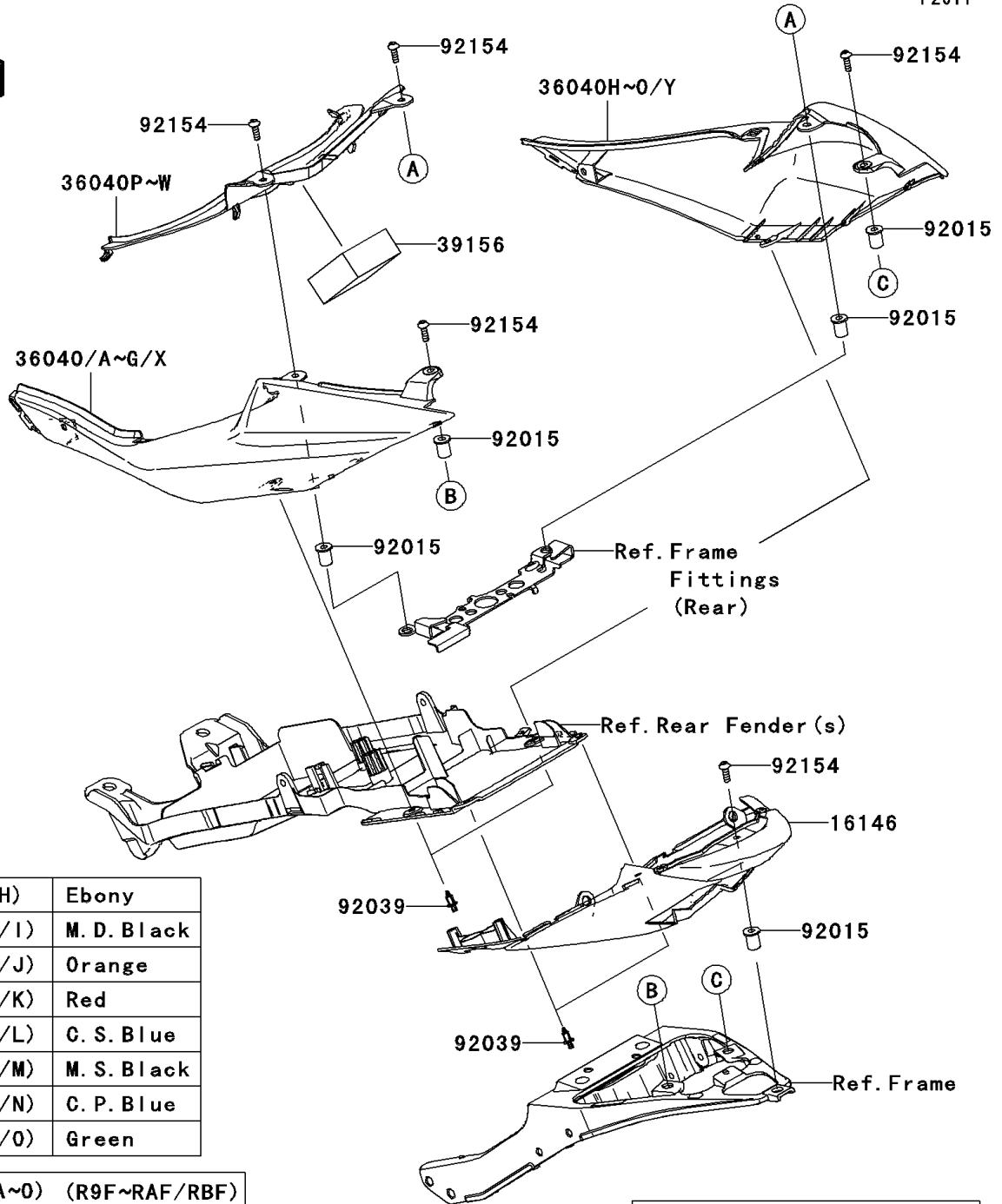


2009 Ninja ZX-6R Monster Energy PARTS DIAGRAM

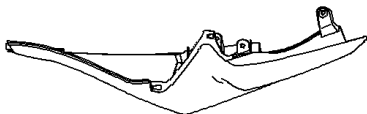
Side Covers

F2611



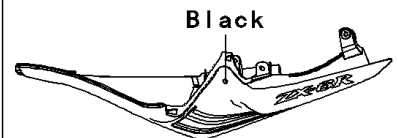
(36040/H)	Ebony
(36040A/I)	M. D. Black
(36040B/J)	Orange
(36040C/K)	Red
(36040D/L)	C. S. Blue
(36040E/M)	M. S. Black
(36040F/N)	C. P. Blue
(36040G/O)	Green

(36040/A~O) (R9F~RAF/RBF)



WOD

(36040X/Y) (RAFA)



WD

2009 Ninja ZX-6R Monster Energy PARTS LIST

Side Covers

ITEM NAME	PART NUMBER	QUANTITY
COVER-ASSY,TAIL LAMP,F.BLACK (Ref # 16146)	16146-0086-6Z	1
COVER-TAIL,LH,EBONY (Ref # 36040)	36040-0087-H8	1
COVER-TAIL,RH,EBONY (Ref # 36040H)	36040-0088-H8	1
COVER-TAIL,CNT,EBONY (Ref # 36040P)	36040-0093-H8	1
PAD,CNT COVER (Ref # 39156)	39156-0529	1
NUT,WELL,5MM (Ref # 92015)	92015-1757	5
RIVET (Ref # 92039)	92039-0068	4
BOLT,SOCKET,5X16 (Ref # 92154)	92154-0209	5