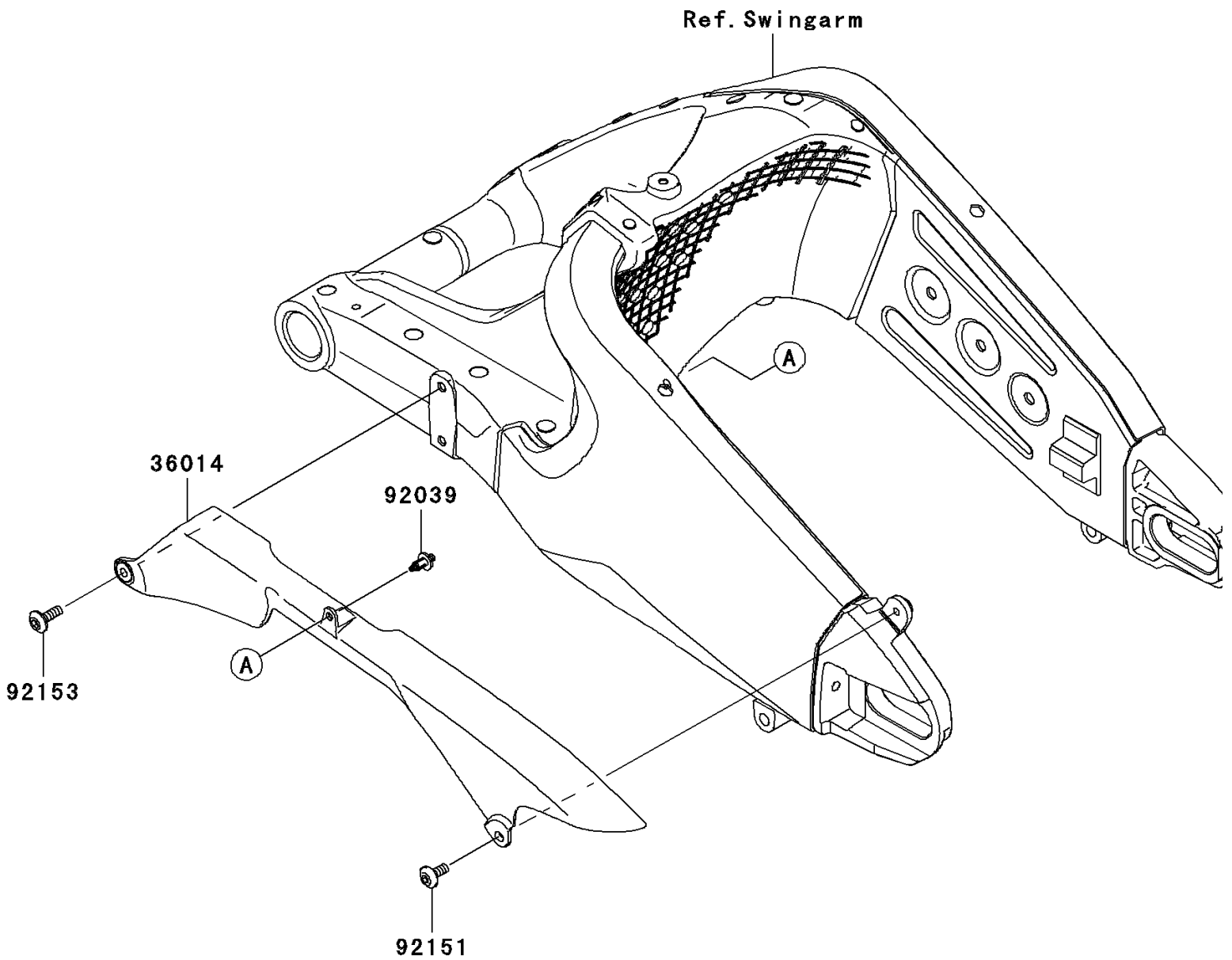


# 2010 Ninja<sup>®</sup> ZX<sup>™</sup>-6R PARTS DIAGRAM

Chain Cover

F2650



## 2010 Ninja® ZX™-6R PARTS LIST

### Chain Cover

ITEM NAME	PART NUMBER	QUANTITY
CASE-CHAIN (Ref # 36014)	36014-0048	1
RIVET (Ref # 92039)	92039-0051	1
BOLT,SOCKET,6X14 (Ref # 92151)	92151-1654	1
BOLT,SOCKET,6X18 (Ref # 92153)	92153-1675	1