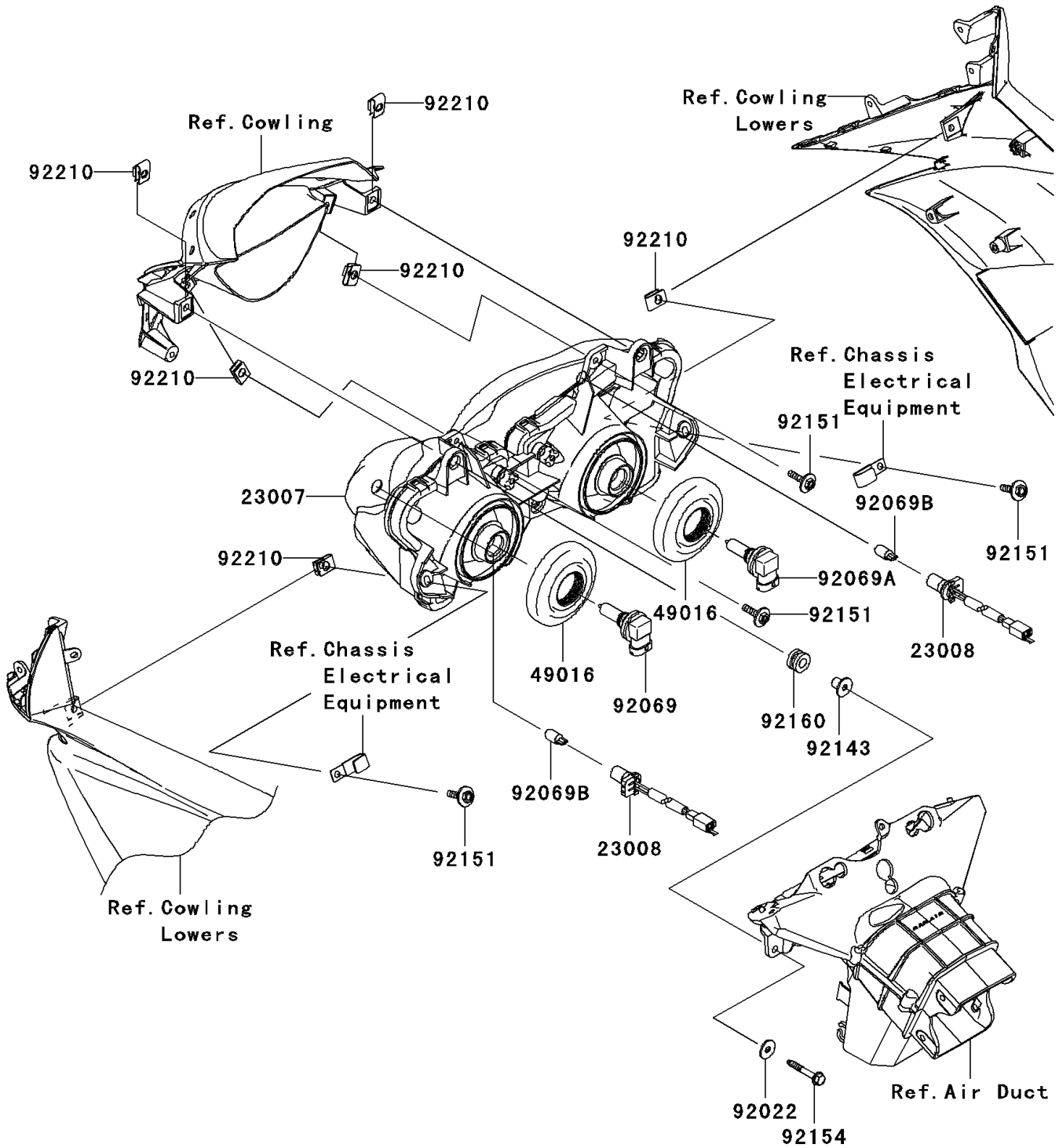


2009 Ninja ZX-6R Monster Energy PARTS DIAGRAM

Headlight(s)

F2710



2009 Ninja ZX-6R Monster Energy PARTS LIST

Headlight(s)

ITEM NAME	PART NUMBER	QUANTITY
LENS-COMP,HEAD LAMP (Ref # 23007)	23007-0101	1
SOCKET-ASSY,HEAD LAMP (Ref # 23008)	23008-0090	2
COVER-SEAL,HEAD LAMP (Ref # 49016)	49016-0023	2
WASHER,6.5X20X1.6,BLACK (Ref # 92022)	92022-1346	2
BULB,12V 65W,H9 (Ref # 92069)	92069-0033	1
BULB,12V 55W,H11 (Ref # 92069A)	92069-0034	1
BULB,12V 5W (Ref # 92069B)	92069-1016	2
COLLAR (Ref # 92143)	92143-1353	2
BOLT,6X25 (Ref # 92151)	92151-1241	4
BOLT,6X40 (Ref # 92154)	92154-0251	2
DAMPER (Ref # 92160)	92160-1167	2
NUT (Ref # 92210)	92210-0130	6