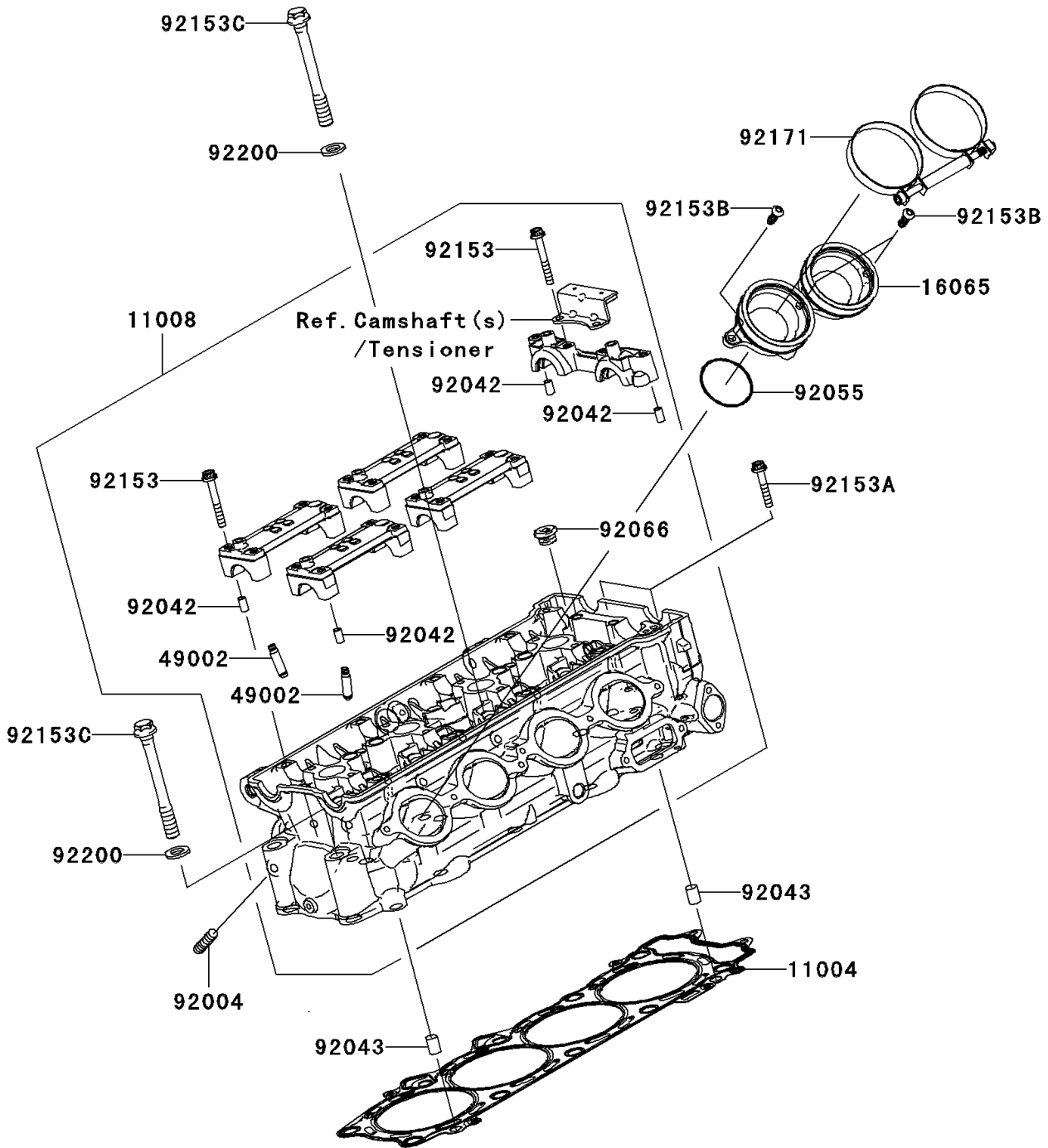


2008 Ninja® ZX™-14 PARTS DIAGRAM

Cylinder Head

E1111



2008 Ninja® ZX™ -14 PARTS LIST

Cylinder Head

| ITEM NAME | PART NUMBER | QUANTITY |
|---|-------------|----------|
| GASKET-HEAD (Ref # 11004) | 11004-0059 | 1 |
| HEAD-COMP-CYLINDER (Ref # 11008) | 11008-0125 | 1 |
| HOLDER-CARBURETOR (Ref # 16065) | 16065-0026 | 2 |
| GUIDE-VALVE (Ref # 49002) | 49002-0014 | AR |
| STUD,8X22 (Ref # 92004) | 92004-0025 | 8 |
| PIN,DOWEL,6.3X8X14 (Ref # 92042) | 92042-007 | 10 |
| PIN,8.2X10X14 (Ref # 92043) | 92043-1264 | 2 |
| RING-O,47X1.9 (Ref # 92055) | 92055-1600 | 4 |
| PLUG,18X10 (Ref # 92066) | 92066-0016 | 4 |
| BOLT,SOCKET,6X45 (Ref # 92153) | 92153-0656 | 20 |
| BOLT,SOCKET,6X35 (Ref # 92153A) | 92153-1556 | 2 |
| BOLT,TORX,6X18 (Ref # 92153B) | 92153-1629 | 6 |
| BOLT,FLANGED-SMALL,11X98 (Ref # 92153C) | 92153-1674 | 10 |
| CLAMP (Ref # 92171) | 92171-0759 | 2 |
| WASHER,11.5X21X2.3 (Ref # 92200) | 92200-0341 | 10 |