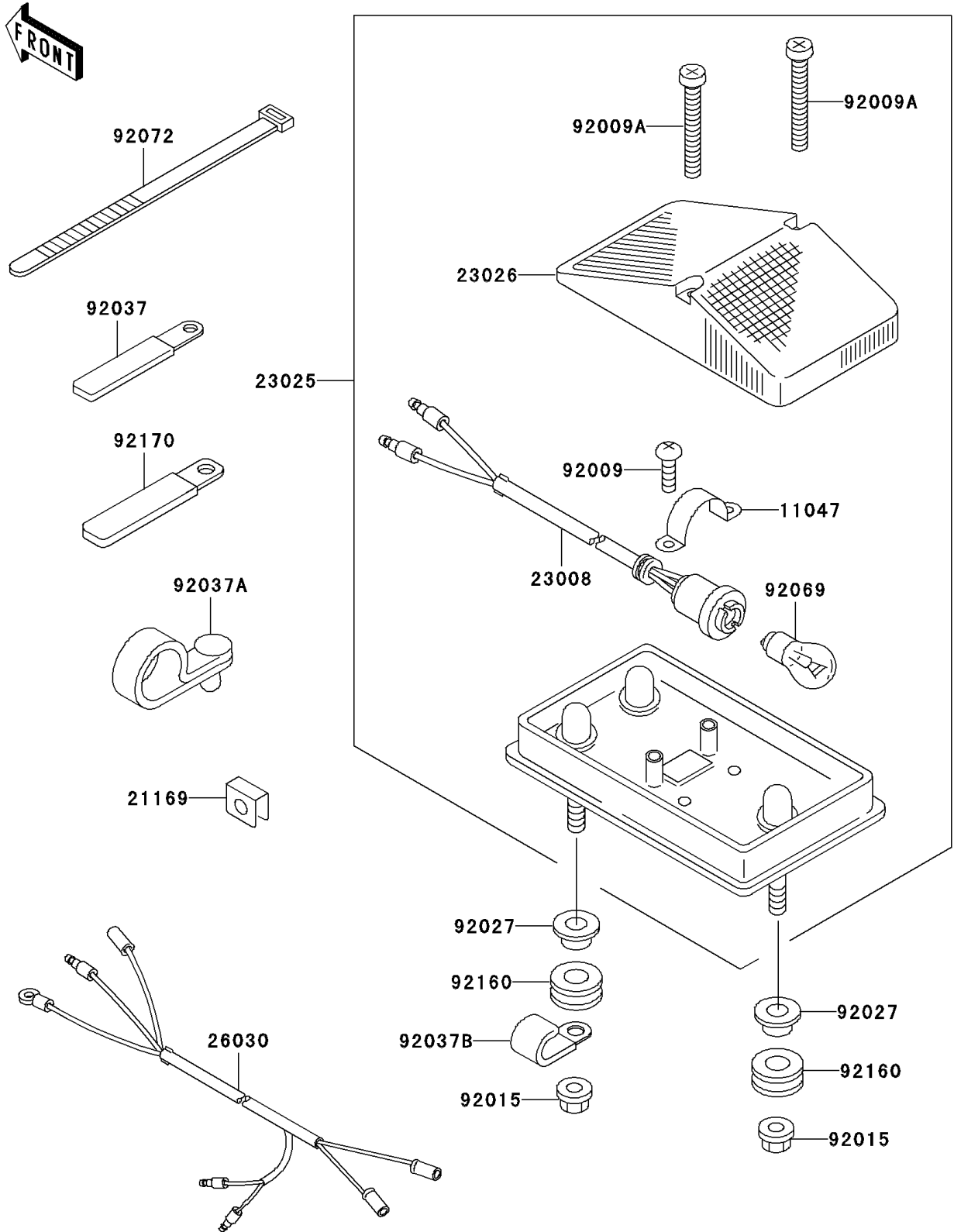


2003 KLX300R PARTS DIAGRAM

Taillight(s)

F2720



2003 KLX300R PARTS LIST

Taillight(s)

| ITEM NAME | PART NUMBER | QUANTITY |
|-------------------------------------|-------------|----------|
| BRACKET,TAIL LAMP (Ref # 11047) | 11047-1238 | 1 |
| TERMINAL (Ref # 21169) | 21169-1066 | 1 |
| SOCKET-ASSY,TAIL LAMP (Ref # 23008) | 23008-1462 | 1 |
| LAMP-TAIL (Ref # 23025) | 23025-1215 | 1 |
| LENS,TAIL LAMP (Ref # 23026) | 23026-1131 | 1 |
| HARNESS,MAIN (Ref # 26030) | 26030-1165 | 1 |
| SCREW,TAPPING,4X10 (Ref # 92009) | 92009-1021 | 2 |
| SCREW,TAPPING,4X30 (Ref # 92009A) | 92009-1647 | 2 |
| NUT,FLANGED,6MM (Ref # 92015) | 92015-1367 | 3 |
| COLLAR,L=14.1 (Ref # 92027) | 92027-1920 | 3 |
| CLAMP,L=60 (Ref # 92037) | 92037-1069 | 1 |
| CLAMP,SPEED,L=58 (Ref # 92037A) | 92037-1163 | 1 |
| CLAMP,WIRING HARNESS (Ref # 92037B) | 92037-1877 | 1 |
| BULB,12V 10W (Ref # 92069) | 92069-1072 | 1 |
| BAND,L=202 (Ref # 92072) | 92072-1195 | 6 |
| DAMPER (Ref # 92160) | 92160-1167 | 3 |
| CLAMP,L=150 (Ref # 92170) | 92170-1114 | 1 |