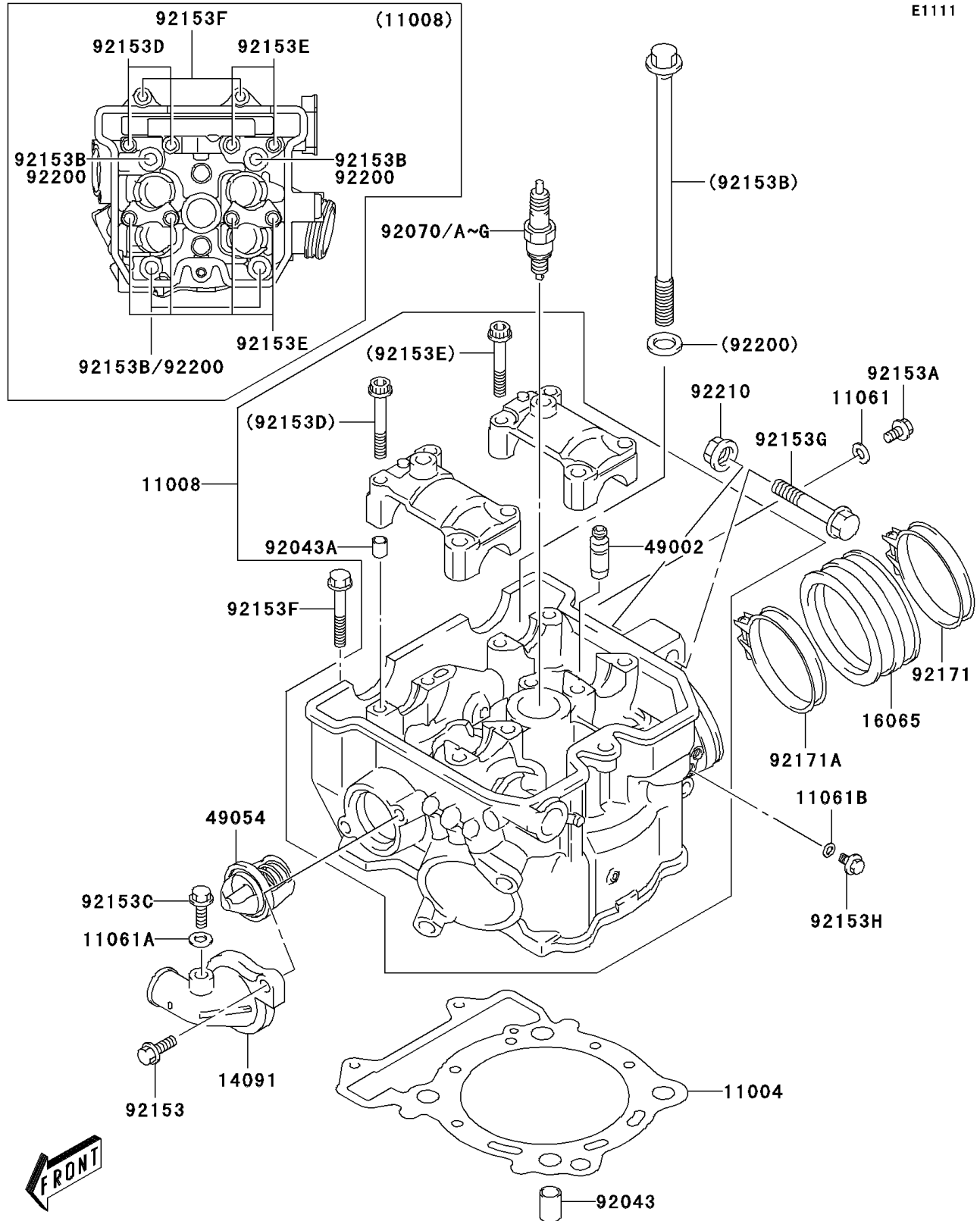


2003 KLX400SR PARTS DIAGRAM

Cylinder Head

E1111



2003 KLX400SR PARTS LIST

Cylinder Head

| ITEM NAME | PART NUMBER | QUANTITY |
|--|-------------|----------|
| GASKET-HEAD (Ref # 11004) | 11004-S006 | 1 |
| HEAD-COMP-CYLINDER (Ref # 11008) | 11008-S005 | 1 |
| GASKET,5.8X13X1.2 (Ref # 11061) | 11061-S001 | 1 |
| GASKET,6.4X11.5X0.8 (Ref # 11061A) | 11061-S002 | 1 |
| GASKET,8.2X14X1 (Ref # 11061B) | 11061-S020 | 2 |
| COVER,THERMOSTAT (Ref # 14091) | 14091-S102 | 1 |
| HOLDER-CARBURETOR (Ref # 16065) | 16065-S009 | 1 |
| GUIDE-VALVE (Ref # 49002) | 49002-S003 | 4 |
| THERMOSTAT,WATER (Ref # 49054) | 49054-S005 | 1 |
| PIN (Ref # 92043) | 92043-S003 | 2 |
| PIN,6.2X8X11 (Ref # 92043A) | 92043-S004 | 4 |
| PLUG-SPARK,CR8E(NGK) (Ref # 92070) | 92070-S001 | 1 |
| PLUG-SPARK,U24ESR-N(ND) (Ref # 92070A) | 92070-S002 | 1 |
| PLUG-SPARK,CR9E(NGK) (Ref # 92070B) | 92070-S003 | 1 |
| PLUG-SPARK,U27ESR-N(ND) (Ref # 92070C) | 92070-S004 | 1 |
| PLUG-SPARK,U22ESR-N(ND) (Ref # 92070D) | 92070-S005 | 1 |
| PLUG-SPARK,CR7E(NGK) (Ref # 92070E) | 92070-S006 | 1 |
| PLUG-SPARK,CR10E(NGK) (Ref # 92070F) | 92070-S024 | 1 |
| PLUG-SPARK,U31ESR(ND) (Ref # 92070G) | 92070-S025 | 1 |
| BOLT (Ref # 92153) | 92153-S001 | 2 |
| BOLT (Ref # 92153A) | 92153-S010 | 1 |
| BOLT,10X175 (Ref # 92153B) | 92153-S036 | 4 |
| BOLT,AIR VENT (Ref # 92153C) | 92153-S055 | 1 |
| BOLT (Ref # 92153D) | 92153-S214 | 2 |
| BOLT (Ref # 92153E) | 92153-S253 | 6 |
| BOLT,6X39 (Ref # 92153F) | 92153-S263 | 2 |
| BOLT,10X50 (Ref # 92153G) | 92153-S332 | 1 |
| BOLT,8X9.5 (Ref # 92153H) | 92153-S333 | 2 |
| CLAMP (Ref # 92171) | 92171-S030 | 1 |

2003 KLX400SR PARTS LIST

Cylinder Head

| ITEM NAME | PART NUMBER | QUANTITY |
|----------------------------------|-------------|----------|
| CLAMP (Ref # 92171A) | 92171-S090 | 1 |
| WASHER,10.5X19X2.0 (Ref # 92200) | 92200-S009 | 4 |
| NUT (Ref # 92210) | 92210-S015 | 1 |