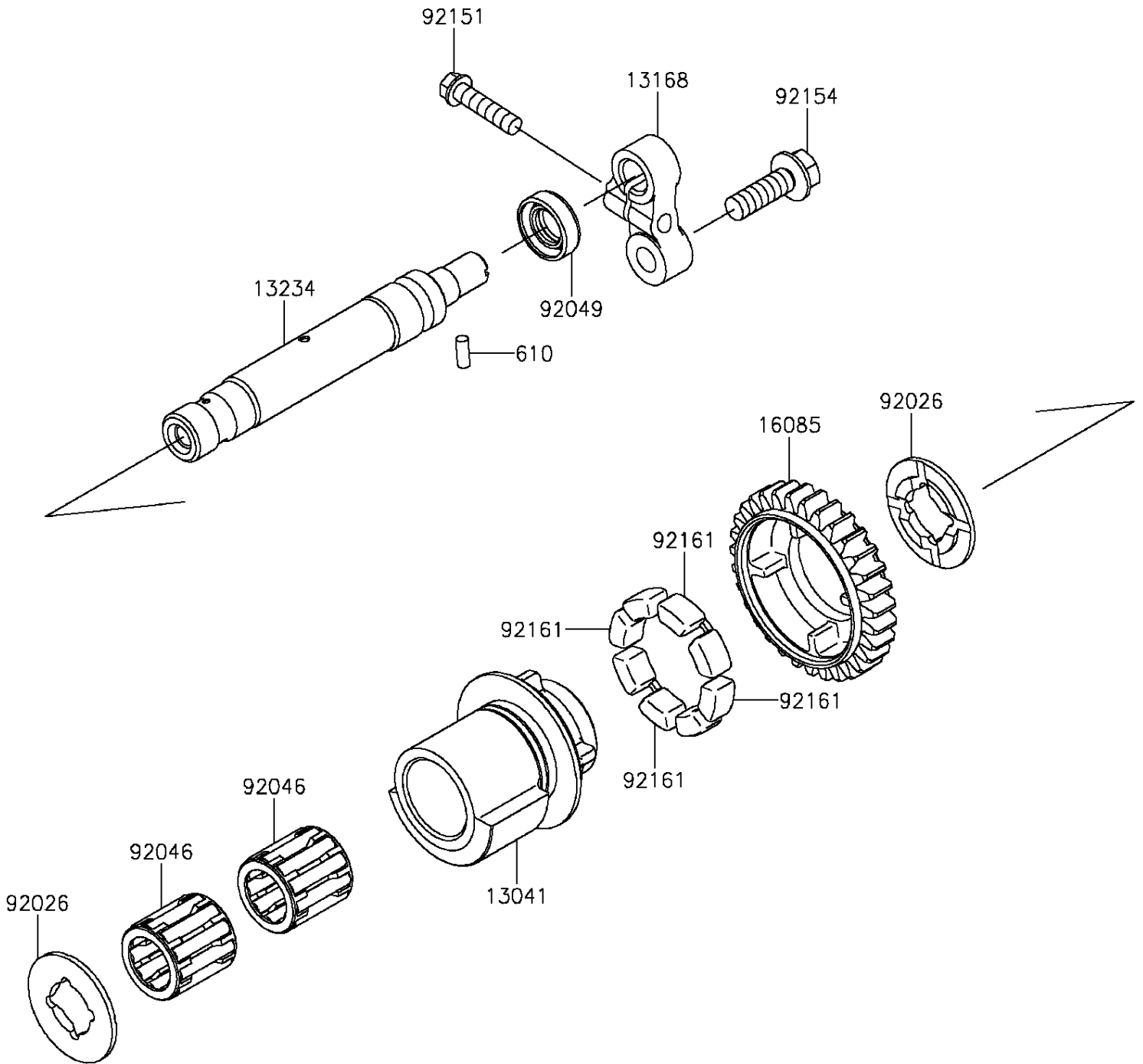


# 2015 Z1000 ABS PARTS DIAGRAM

Balancer

E1323



## 2015 Z1000 ABS PARTS LIST

### Balancer

| ITEM NAME                             | PART NUMBER | QUANTITY |
|---------------------------------------|-------------|----------|
| BALANCER (Ref # 13041)                | 13041-0040  | 1        |
| LEVER (Ref # 13168)                   | 13168-0115  | 1        |
| SHAFT-COMP (Ref # 13234)              | 13234-0038  | 1        |
| GEAR,BALANCER,31T (Ref # 16085)       | 16085-0134  | 1        |
| ROLLER,4X10 (Ref # 610)               | 610A0410    | 1        |
| SPACER (Ref # 92026)                  | 92026-0082  | 2        |
| BEARING-NEEDLE (Ref # 92046)          | 92046-1266  | 2        |
| SEAL-OIL,TC 12X22X7 (Ref # 92049)     | 92049-2204  | 1        |
| BOLT,FLANGED-SMALL,6X25 (Ref # 92151) | 92151-1930  | 1        |
| BOLT,FLANGED,8X25 (Ref # 92154)       | 92154-0413  | 1        |
| DAMPER (Ref # 92161)                  | 92161-1055  | 4        |