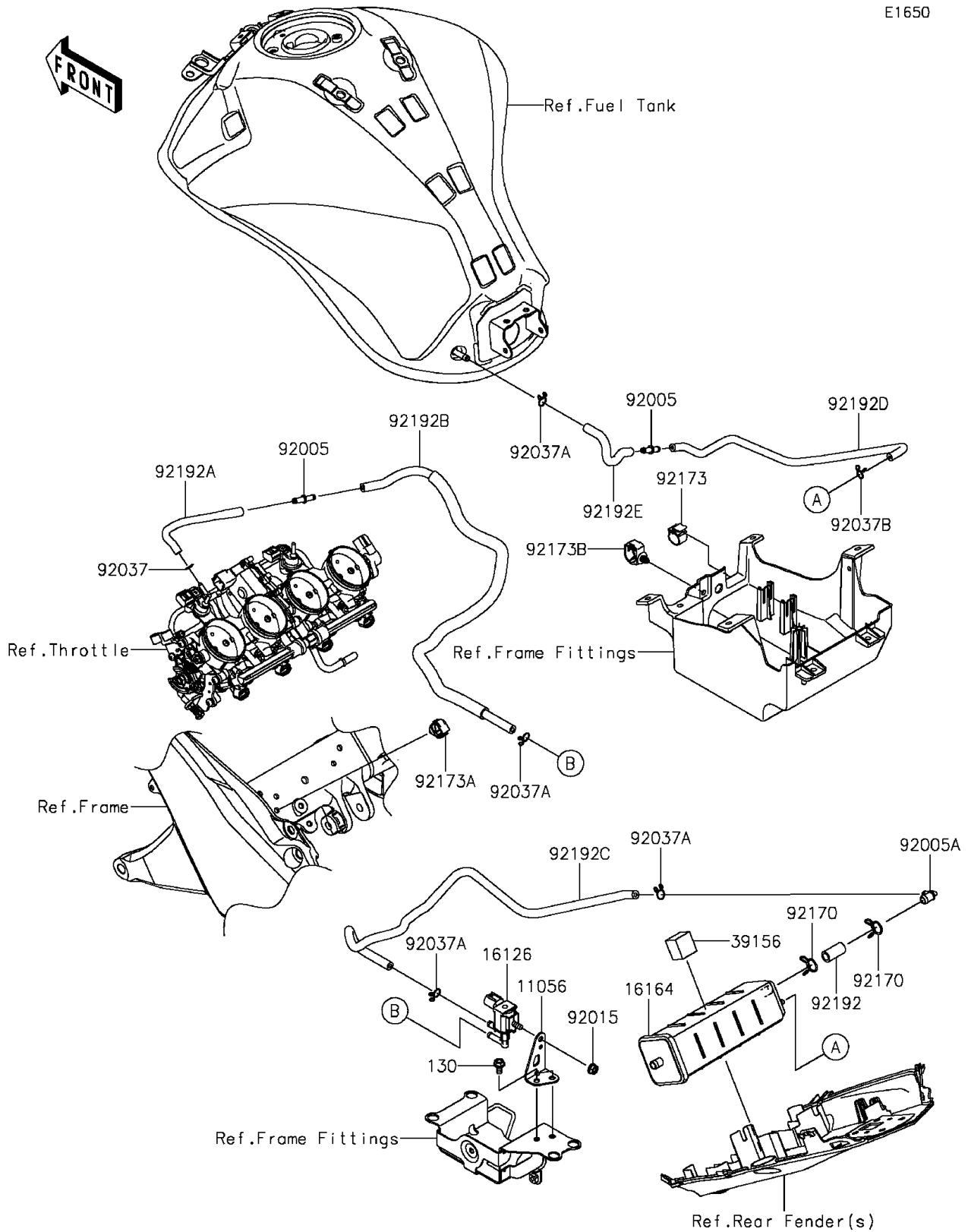


2015 Z1000 ABS PARTS DIAGRAM

Fuel Evaporative System(CA)

E1650



2015 Z1000 ABS PARTS LIST

Fuel Evaporative System(CA)

ITEM NAME	PART NUMBER	QUANTITY
BRACKET,VALVE (Ref # 11056)	11056-2480	1
BOLT-FLANGED,6X12 (Ref # 130)	130BA0612	2
VALVE,SOLENOID (Ref # 16126)	16126-0705	1
CANISTER (Ref # 16164)	16164-0009	1
PAD,CANISTER (Ref # 39156)	39156-1774	1
FITTING (Ref # 92005)	92005-0721	2
FITTING (Ref # 92005A)	92005-0753	1
NUT,FLANGED,6MM (Ref # 92015)	92015-1367	1
CLAMP,TUBE (Ref # 92037)	92037-010	1
CLAMP,TUBE (Ref # 92037A)	92037-147	4
CLAMP (Ref # 92037B)	92037-1712	1
CLAMP (Ref # 92170)	92170-1695	2
CLAMP,CLIP (Ref # 92173)	92173-0127	1
CLAMP,12MM DIA. (Ref # 92173A)	92173-0736	1
CLAMP (Ref # 92173B)	92173-0861	1
TUBE,9X14.4X30 (Ref # 92192)	92192-1148	1
TUBE,THROTTLE-FITTING(VALVE) (Ref # 92192A)	92192-1279	1
TUBE,FITTING(THROTTLE)-VALVE (Ref # 92192B)	92192-1288	1
TUBE,VALVE-CANISTER (Ref # 92192C)	92192-1289	1
TUBE,CANISTER-FITTING(TANK) (Ref # 92192D)	92192-1378	1
TUBE,FITTING(CANISTER)-TANK (Ref # 92192E)	92192-1379	1