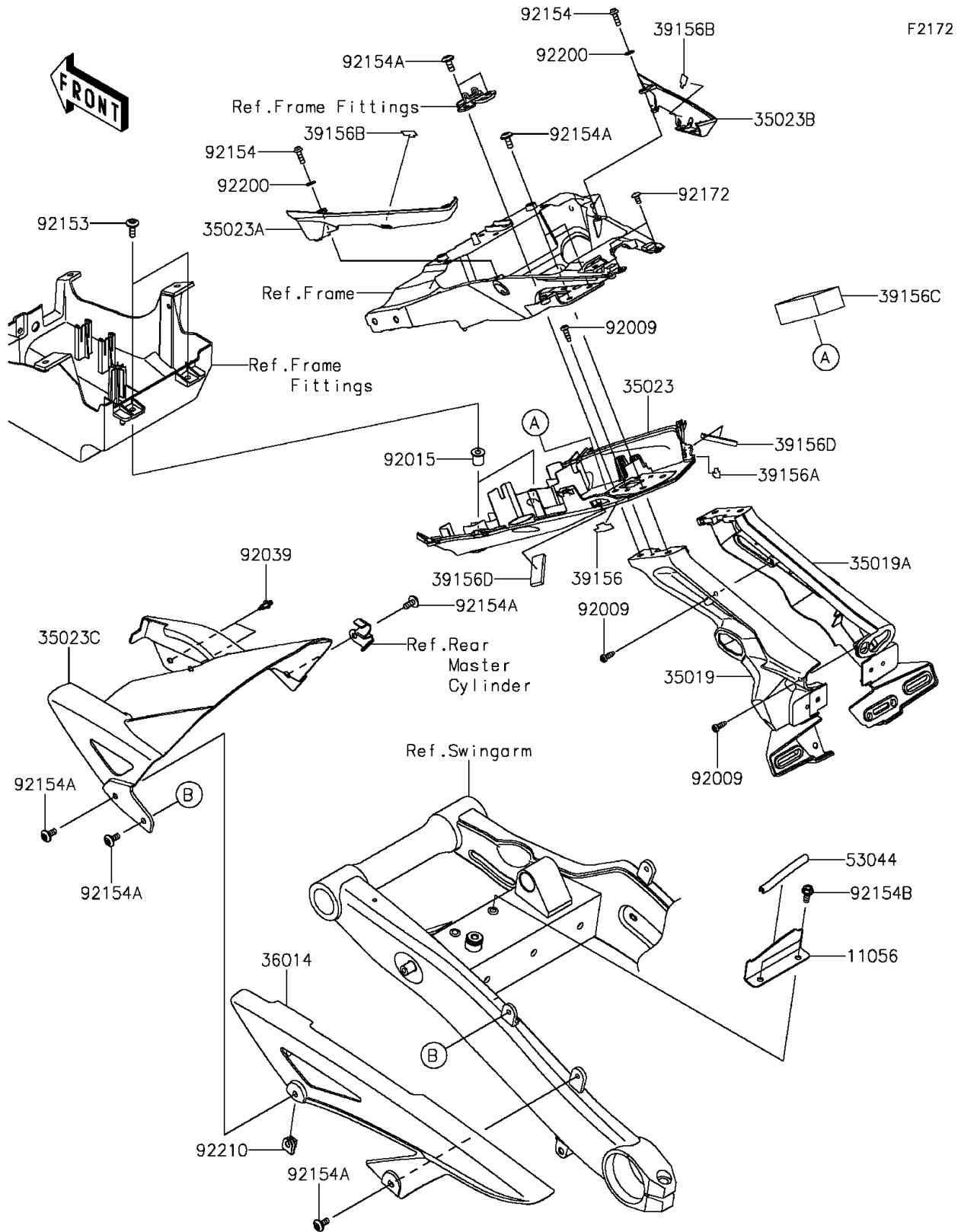


# 2015 Z1000 ABS PARTS DIAGRAM

Rear Fender(s)



## 2015 Z1000 ABS PARTS LIST

### Rear Fender(s)

ITEM NAME	PART NUMBER	QUANTITY
BRACKET (Ref # 11056)	11056-2656	1
FLAP,LH (Ref # 35019)	35019-0580	1
FLAP,RH (Ref # 35019A)	35019-0581	1
FENDER-REAR,CNT (Ref # 35023)	35023-0378	1
FENDER-REAR,LH (Ref # 35023A)	35023-0379	1
FENDER-REAR,RH (Ref # 35023B)	35023-0380	1
FENDER-REAR,INNER (Ref # 35023C)	35023-0381	1
CASE-CHAIN (Ref # 36014)	36014-0029	1
PAD,RR FENDER,RR,LH (Ref # 39156)	39156-1786	1
PAD,RR FENDER,RR,RH (Ref # 39156A)	39156-1787	1
PAD,RR FENDER LH&RH (Ref # 39156B)	39156-1788	2
PAD,40X80X25 (Ref # 39156C)	39156-1808	1
PAD,RR FENDER,42X15X5 (Ref # 39156D)	39156-1812	2
TRIM (Ref # 53044)	53044-0018	1
SCREW,TAPPING,5X16 (Ref # 92009)	92009-1984	4
NUT (Ref # 92015)	92015-1700	2
RIVET (Ref # 92039)	92039-0060	2
BOLT,6X18 (Ref # 92153)	92153-0816	2
BOLT,SOCKET,5X16 (Ref # 92154)	92154-0209	2
BOLT,SOCKET,6X14 (Ref # 92154A)	92154-0745	8
BOLT,FLANGED,6X16 (Ref # 92154B)	92154-0899	2
SCREW,TAPPING,5X10 (Ref # 92172)	92172-0262	2
WASHER,NYLONE,5.3X11.5X0.5 (Ref # 92200)	92200-0006	2
NUT,6MM (Ref # 92210)	92210-0277	1