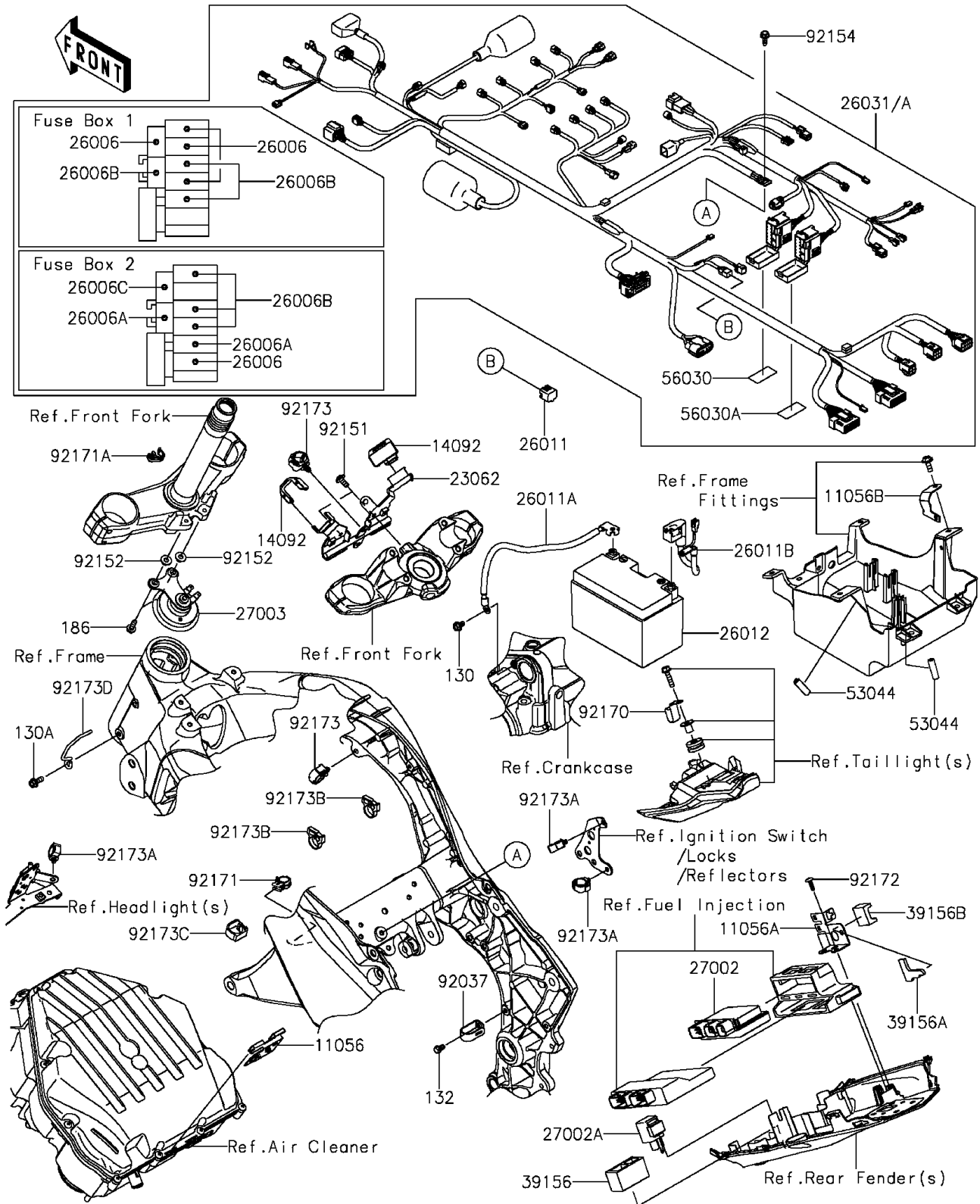


2015 Z1000 ABS PARTS DIAGRAM

Chassis Electrical Equipment

F2760



2015 Z1000 ABS PARTS LIST

Chassis Electrical Equipment

ITEM NAME	PART NUMBER	QUANTITY
BRACKET,SPEED SENSOR (Ref # 11056)	11056-2434	1
BRACKET,RR COUPLER (Ref # 11056A)	11056-2531	1
BRACKET,PUMP COUPLER (Ref # 11056B)	11056-3936	1
BOLT-FLANGED,6X10 (Ref # 130)	130BA0610	1
COVER,HARNESS (Ref # 14092)	14092-1166	2
BRACKET-COMP,HARNESS&CABLE (Ref # 23062)	23062-0819	1
FUSE,MINI BLADE,15A,BLUE (Ref # 26006)	26006-0001	5
FUSE,MINI BLADE,25A,NATURAL (Ref # 26006A)	26006-0020	2
FUSE,MINI BLADE,7.5A,BROWN (Ref # 26006B)	26006-0055	6
FUSE,MINI BLADE,30A,GREEN (Ref # 26006C)	26006-1080	1
WIRE-LEAD,CONNECTOR COVER (Ref # 26011)	26011-0275	1
WIRE-LEAD,BATTERY(-) (Ref # 26011A)	26011-0822	1
WIRE-LEAD,BATTERY(+) (Ref # 26011B)	26011-0839	1
BATTERY,YT12A-BS,12V (Ref # 26012)	26012-0556	1
HARNESS,MAIN (Ref # 26031A)	26031-1724	1
RELAY-ASSY,BOX (Ref # 27002)	27002-0007	1
RELAY-ASSY,SIGNAL LAMP (Ref # 27002A)	27002-1097	1
HORN (Ref # 27003)	27003-0096	1
PAD (Ref # 39156)	39156-1735	1
PAD (Ref # 39156A)	39156-1803	1
PAD (Ref # 39156B)	39156-1804	1
TRIM,L=30 (Ref # 53044)	53044-0001	2
LABEL,FUSE BOX1 (Ref # 56030)	56030-0830	1
LABEL,FUSE BOX2 (Ref # 56030A)	56030-0857	1
CLAMP,CABLE,STEEL SHEET (Ref # 92037)	92037-2014	1
BOLT,SOCKET,6X14 (Ref # 92151)	92151-1654	2
COLLAR,6.3X8.3X16 (Ref # 92152)	92152-0286	2
BOLT,FLANGED,6X16 (Ref # 92154)	92154-0551	1
CLAMP (Ref # 92170)	92170-1925	1

2015 Z1000 ABS PARTS LIST

Chassis Electrical Equipment

ITEM NAME	PART NUMBER	QUANTITY
CLAMP,EDGE CLIP (Ref # 92171)	92171-1722	1
CLAMP,BRAKE HOSE (Ref # 92171A)	92171-1819	1
SCREW,TAPPING,5X16 (Ref # 92172)	92172-0238	2
CLAMP (Ref # 92173)	92173-0861	2
CLAMP,HOLDER CLIP (Ref # 92173A)	92173-0868	3
CLAMP,SNAPPER (Ref # 92173B)	92173-0970	2
CLAMP,HARNESS (Ref # 92173C)	92173-1156	1
CLAMP,IRON WIRE (Ref # 92173D)	92173-1199	1
BOLT-FLANGED,6X16 (Ref # 130A)	130BB0616	1
BOLT-FLANGED-SMALL,6X10 (Ref # 132)	132BA0610	1
BOLT-UPSET-WP,6X18 (Ref # 186)	186BB0618	2