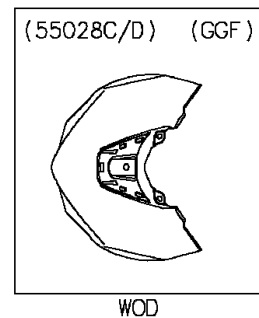
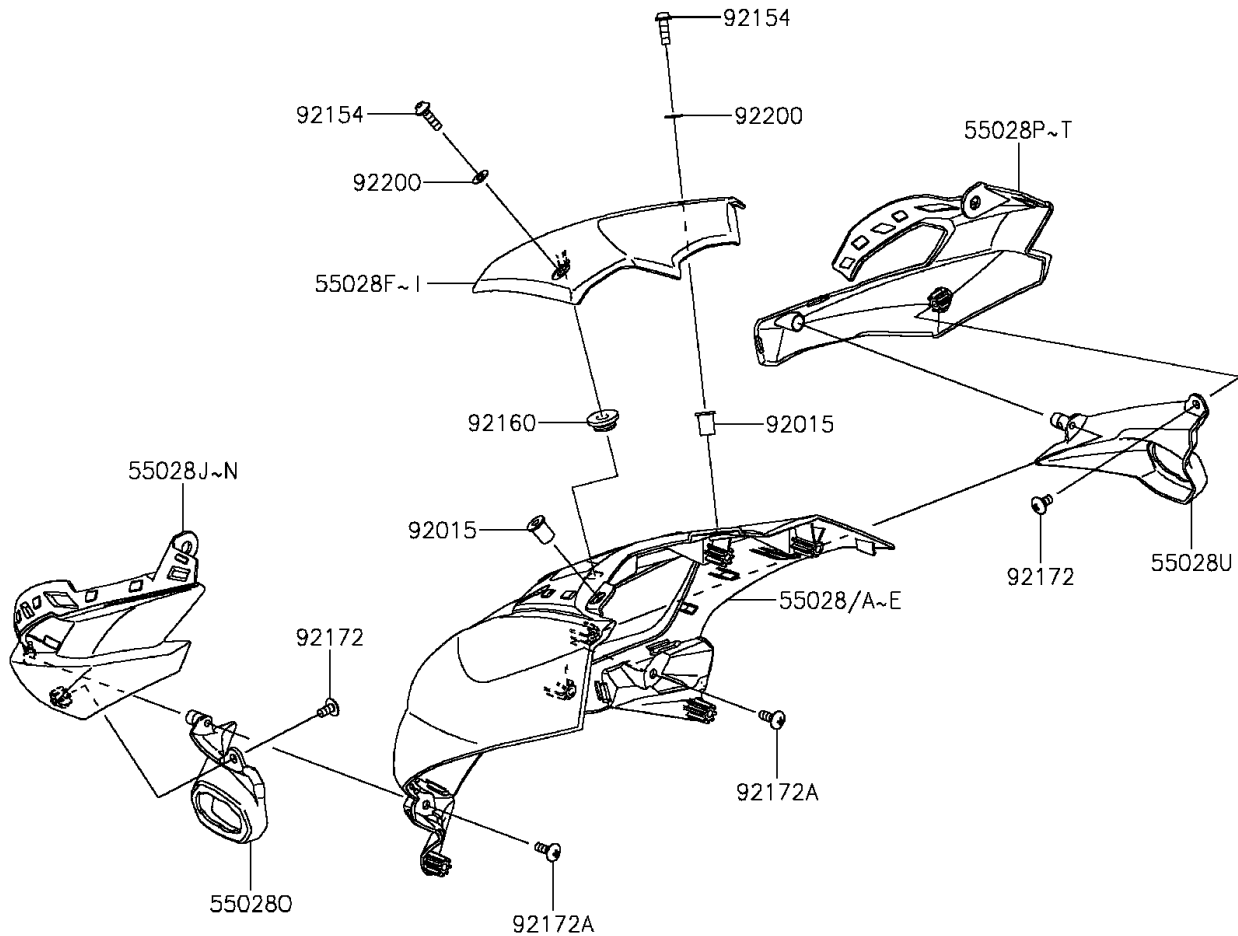


# 2014 Z1000 ABS PARTS DIAGRAM

Cowling(Upper)

F2870



## 2014 Z1000 ABS PARTS LIST

### Cowling(Upper)

| ITEM NAME                                | PART NUMBER    | QUANTITY |
|--|----------------|----------|
| COWLING,UPP,CNT,C.B.ORANGE (Ref # 55028) | 55028-0486-17L | 1        |
| COWLING,UPP,UPP,M.S.BLACK (Ref # 55028I) | 55028-0487-660 | 1        |
| COWLING,UPP,LH,C.B.ORANGE (Ref # 55028J) | 55028-0488-17L | 1        |
| COWLING,UPP,LH,SIGNAL (Ref # 55028O)     | 55028-0489     | 1        |
| COWLING,UPP,RH,C.B.ORANGE (Ref # 55028P) | 55028-0490-17L | 1        |
| COWLING,UPP,RH,SIGNAL (Ref # 55028U)     | 55028-0491     | 1        |
| NUT,WELL,5MM (Ref # 92015)               | 92015-1757     | 2        |
| BOLT,SOCKET,5X16 (Ref # 92154)           | 92154-0209     | 2        |
| DAMPER (Ref # 92160)                     | 92160-1613     | 1        |
| SCREW,TAPPING,5X10 (Ref # 92172)         | 92172-0262     | 2        |
| SCREW,TAPPING,5X14 (Ref # 92172A)        | 92172-0265     | 2        |
| WASHER,NYLONE,5.3X11.5X0.5 (Ref # 92200) | 92200-0006     | 2        |