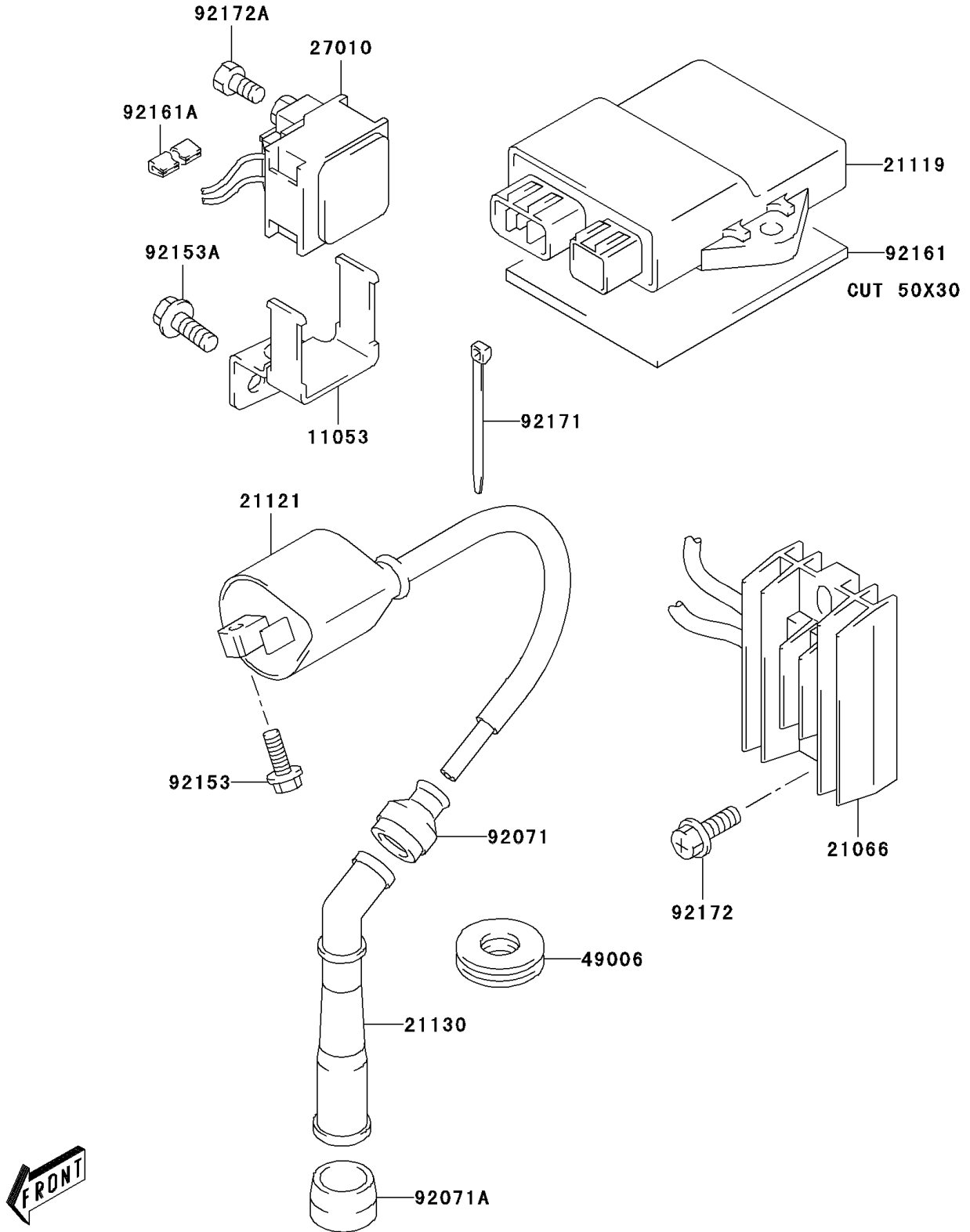


2003 KLX400SR PARTS DIAGRAM

Ignition System

E1830



2003 KLX400SR PARTS LIST

Ignition System

ITEM NAME	PART NUMBER	QUANTITY
BRACKET,STARTING MOTOR RELAY (Ref # 11053)	11053-S029	1
REGULATOR-VOLTAGE (Ref # 21066)	21066-S005	1
IGNITER (Ref # 21119)	21119-S006	1
COIL-IGNITION (Ref # 21121)	21121-S006	1
CAP-SPARK PLUG (Ref # 21130)	21130-S006	1
SWITCH,STARTING MOTOR (Ref # 27010)	27010-S031	1
BOOT,SPARK PLUG CAP (Ref # 49006)	49006-S020	1
GROMMET,HIGHTENSION (Ref # 92071)	92071-S004	1
GROMMET,SPARK PLUG CAP (Ref # 92071A)	92071-S007	1
BOLT (Ref # 92153)	92153-S001	2
BOLT (Ref # 92153A)	92153-S011	1
DAMPER,170X95X3.0 (Ref # 92161)	92161-S014	1
DAMPER,STARTING MOTOR (Ref # 92161A)	92161-S116	1
CLAMP,L=145 (Ref # 92171)	92171-S015	1
SCREW (Ref # 92172)	92172-S022	2
SCREW,6X8 (Ref # 92172A)	92172-S035	2