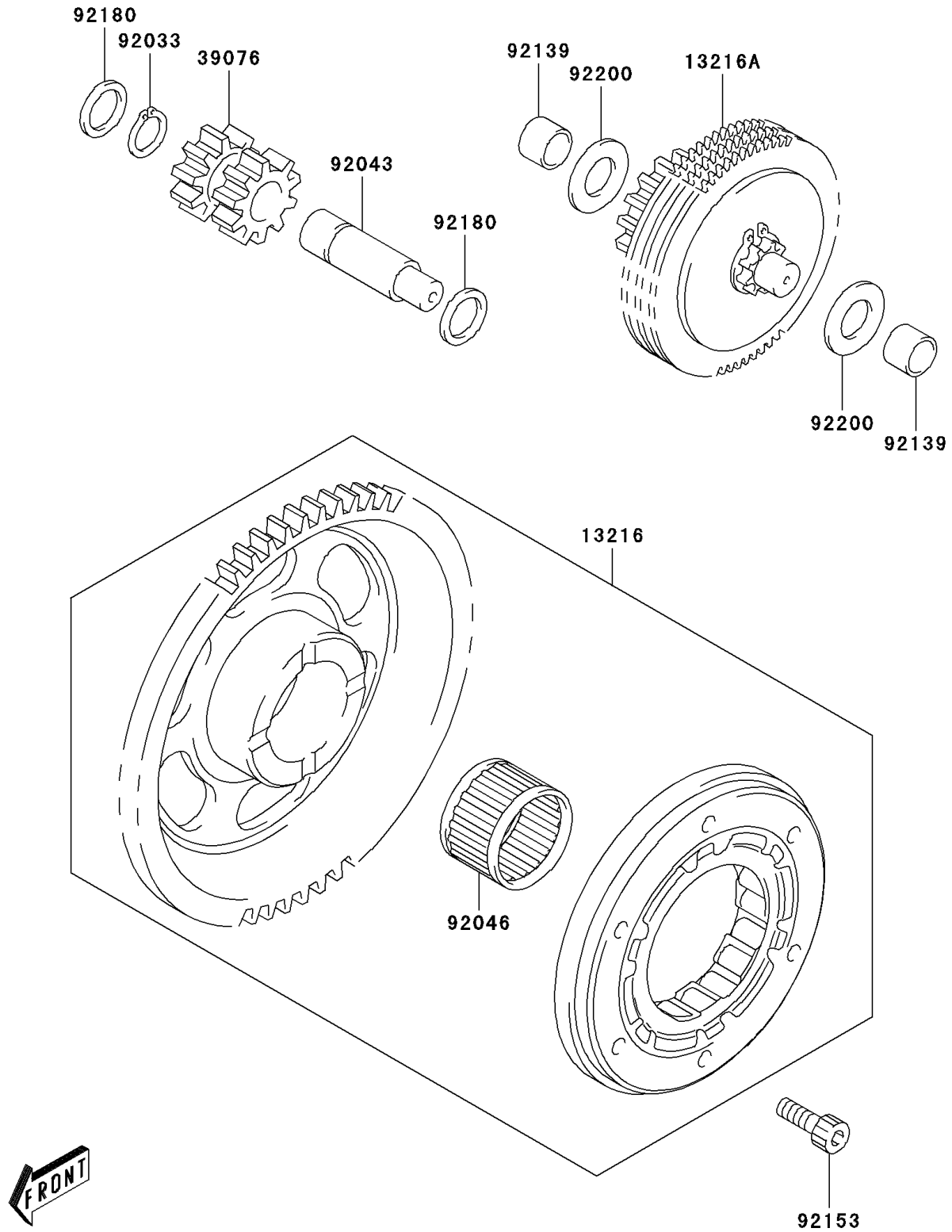


2003 KLX400SR PARTS DIAGRAM

Starter Clutch

E1841



2003 KLX400SR PARTS LIST

Starter Clutch

ITEM NAME	PART NUMBER	QUANTITY
GEAR-COMP,STARTER (Ref # 13216)	13216-S010	1
GEAR-COMP,STARTER IDLE GEAR (Ref # 13216A)	13216-S011	1
LIMITER,STARTER IDLE (Ref # 39076)	39076-S005	1
RING-SNAP (Ref # 92033)	92033-S023	1
PIN (Ref # 92043)	92043-S052	1
BEARING-NEEDLE,STARTER CLUTCH (Ref # 92046)	92046-S021	1
BUSHING (Ref # 92139)	92139-S024	2
BOLT (Ref # 92153)	92153-S024	6
SHIM,STARTER IDLE GEAR (Ref # 92180)	92180-S010	2
WASHER,LIMITER ASSY (Ref # 92200)	92200-S129	2