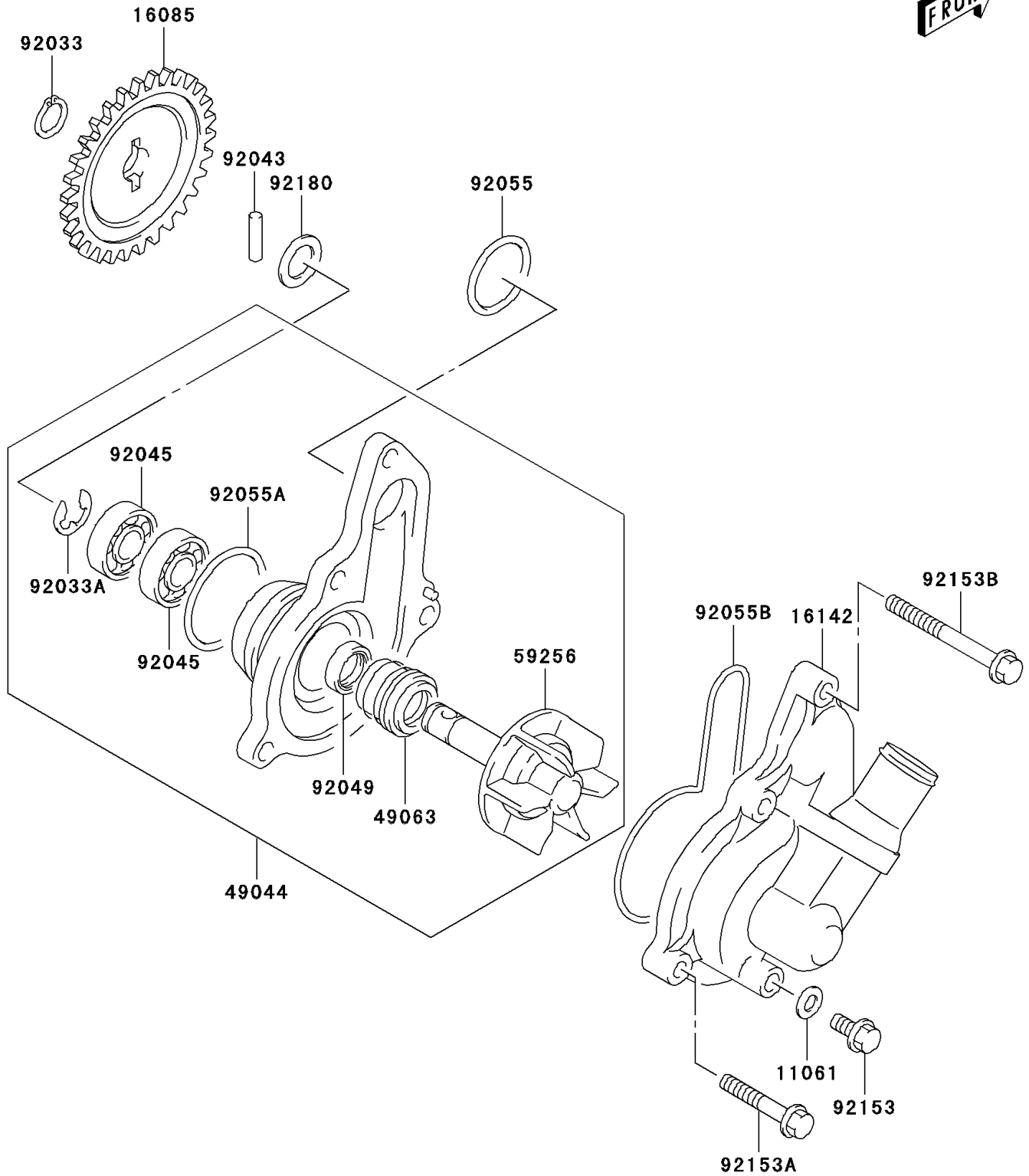


# 2004 KLX400SR (Canada Only) PARTS DIAGRAM

Water Pump  
E3031



## 2004 KLX400SR (Canada Only) PARTS LIST

### Water Pump

ITEM NAME	PART NUMBER	QUANTITY
GASKET,OIL HOSE (Ref # 11061)	11061-S045	1
GEAR,WATER PUMP (Ref # 16085)	16085-S005	1
COVER-PUMP (Ref # 16142)	16142-S002	1
PUMP-WATER (Ref # 49044)	49044-S004	1
SEAL-MECHANICAL,WATER PUMP (Ref # 49063)	49063-S004	1
IMPELLER (Ref # 59256)	59256-S003	1
RING-SNAP (Ref # 92033)	92033-S001	1
RING-SNAP (Ref # 92033A)	92033-S006	1
PIN,WATER PUMP (Ref # 92043)	92043-S039	1
BEARING-BALL (Ref # 92045)	92045-S046	2
SEAL-OIL (Ref # 92049)	92049-S054	1
RING-O,D=2.4 (Ref # 92055)	92055-S007	1
RING-O (Ref # 92055A)	92055-S015	1
RING-O,WATER PUMP (Ref # 92055B)	92055-S066	1
BOLT (Ref # 92153)	92153-S143	1
BOLT,6X30 (Ref # 92153A)	92153-S261	3
BOLT,CLUTCH COVER (Ref # 92153B)	92153-S262	1
SHIM,10X18X0.5 (Ref # 92180)	92180-S001	1