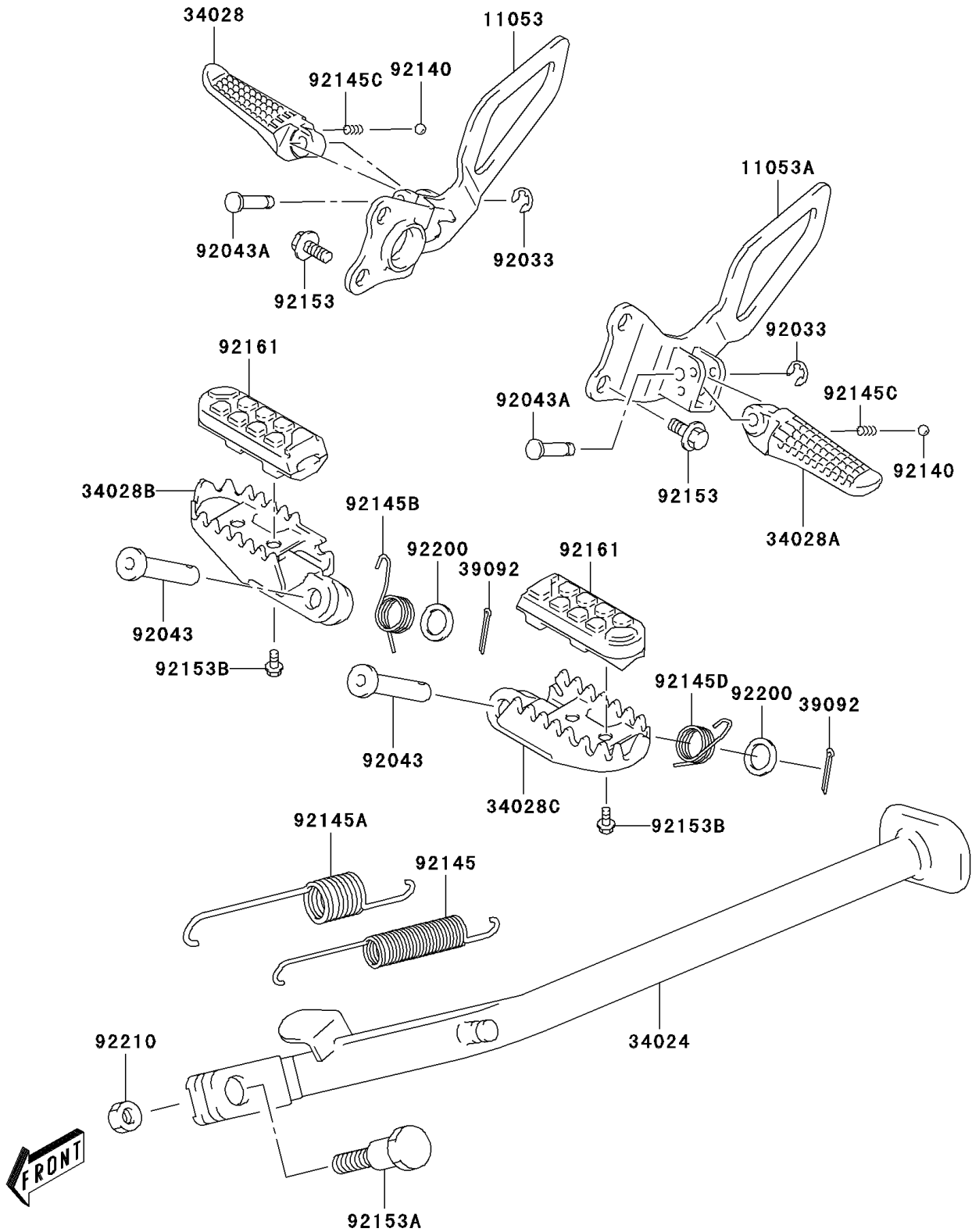


2003 KLX400SR PARTS DIAGRAM

Stand(s)

F2190



2003 KLX400SR PARTS LIST

Stand(s)

ITEM NAME	PART NUMBER	QUANTITY
BRACKET,RH (Ref # 11053)	11053-S034	1
BRACKET,LH (Ref # 11053A)	11053-S035	1
STAND-SIDE (Ref # 34024)	34024-S006	1
STEP,RR,RH (Ref # 34028)	34028-S007	1
STEP,RR,LH (Ref # 34028A)	34028-S008	1
STEP,FR,RH (Ref # 34028B)	34028-S009	1
STEP,FR,LH (Ref # 34028C)	34028-S010	1
PIN-HAIR,COTTER (Ref # 39092)	39092-S013	2
RING-SNAP,BRAKE LEVER STOP (Ref # 92033)	92033-S028	2
PIN (Ref # 92043)	92043-S047	2
PIN (Ref # 92043A)	92043-S048	2
BALL (Ref # 92140)	92140-S006	2
SPRING (Ref # 92145)	92145-S129	1
SPRING (Ref # 92145A)	92145-S130	1
SPRING (Ref # 92145B)	92145-S131	1
SPRING (Ref # 92145C)	92145-S132	2
SPRING (Ref # 92145D)	92145-S138	1
BOLT (Ref # 92153)	92153-S108	4
BOLT (Ref # 92153A)	92153-S153	1
BOLT (Ref # 92153B)	92153-S343	2
DAMPER (Ref # 92161)	92161-S121	2
WASHER,MAGNETO (Ref # 92200)	92200-S092	2
NUT (Ref # 92210)	92210-S060	1