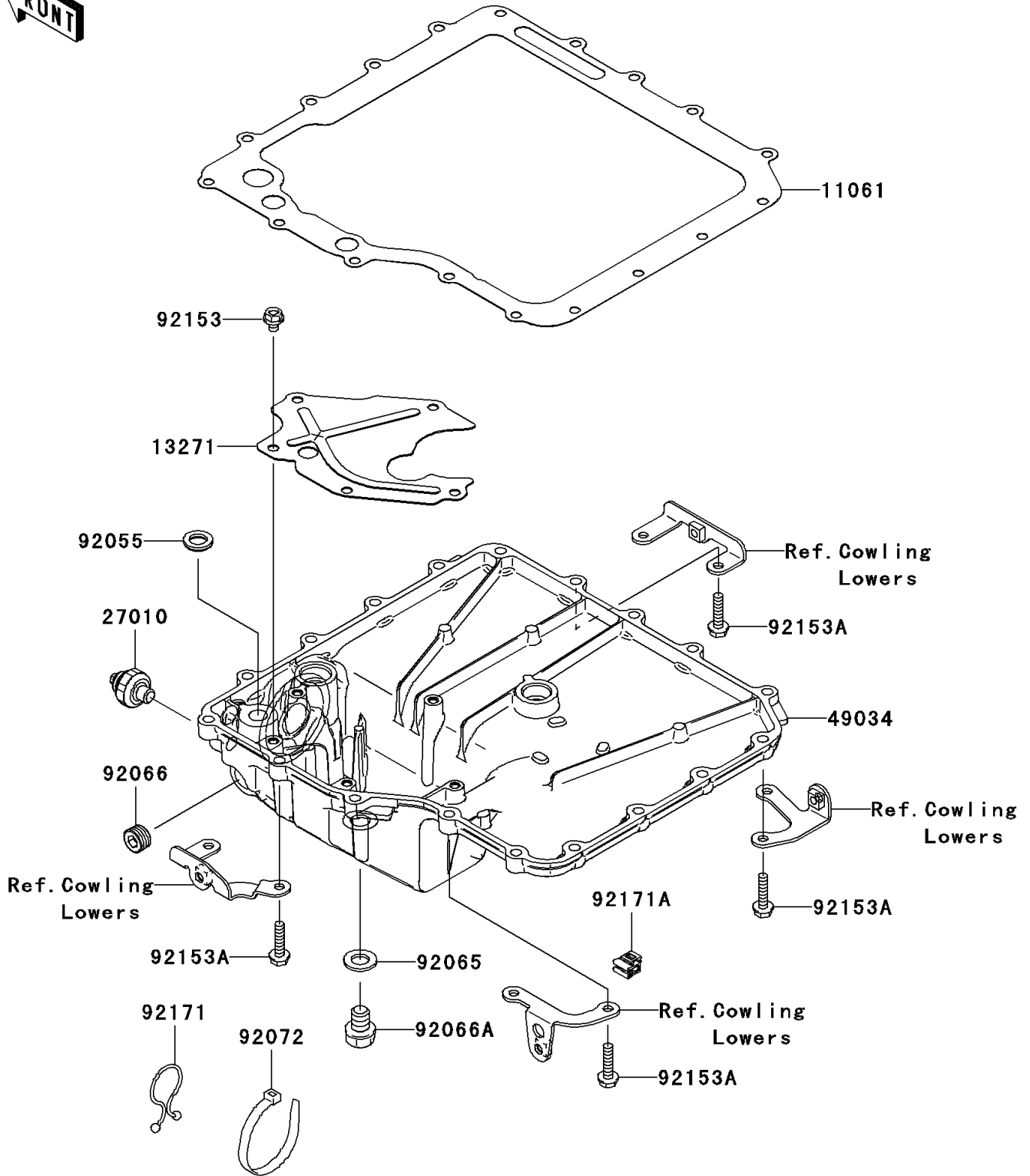


2009 Ninja® ZX™-14 PARTS DIAGRAM

Oil Pan

E1434



2009 Ninja® ZX™-14 PARTS LIST

Oil Pan

ITEM NAME	PART NUMBER	QUANTITY
GASKET,OIL PAN (Ref # 11061)	11061-0199	1
PLATE (Ref # 13271)	13271-0868	1
SWITCH,OIL PRESSURE (Ref # 27010)	27010-1313	1
PAN-OIL (Ref # 49034)	49034-0017	1
RING-O,19.5MM (Ref # 92055)	92055-077	1
GASKET,12X22X2 (Ref # 92065)	92065-097	1
PLUG (Ref # 92066)	92066-0064	1
PLUG,12X15 (Ref # 92066A)	92066-0079	1
BAND,L=200 (Ref # 92072)	92072-0106	1
BOLT,FLANGED,6X8 (Ref # 92153)	92153-1530	5
BOLT-FLANGED,6X25 (Ref # 92153A)	92153-1569	18
CLAMP (Ref # 92171)	92171-1185	1
CLAMP (Ref # 92171A)	92171-1811	1