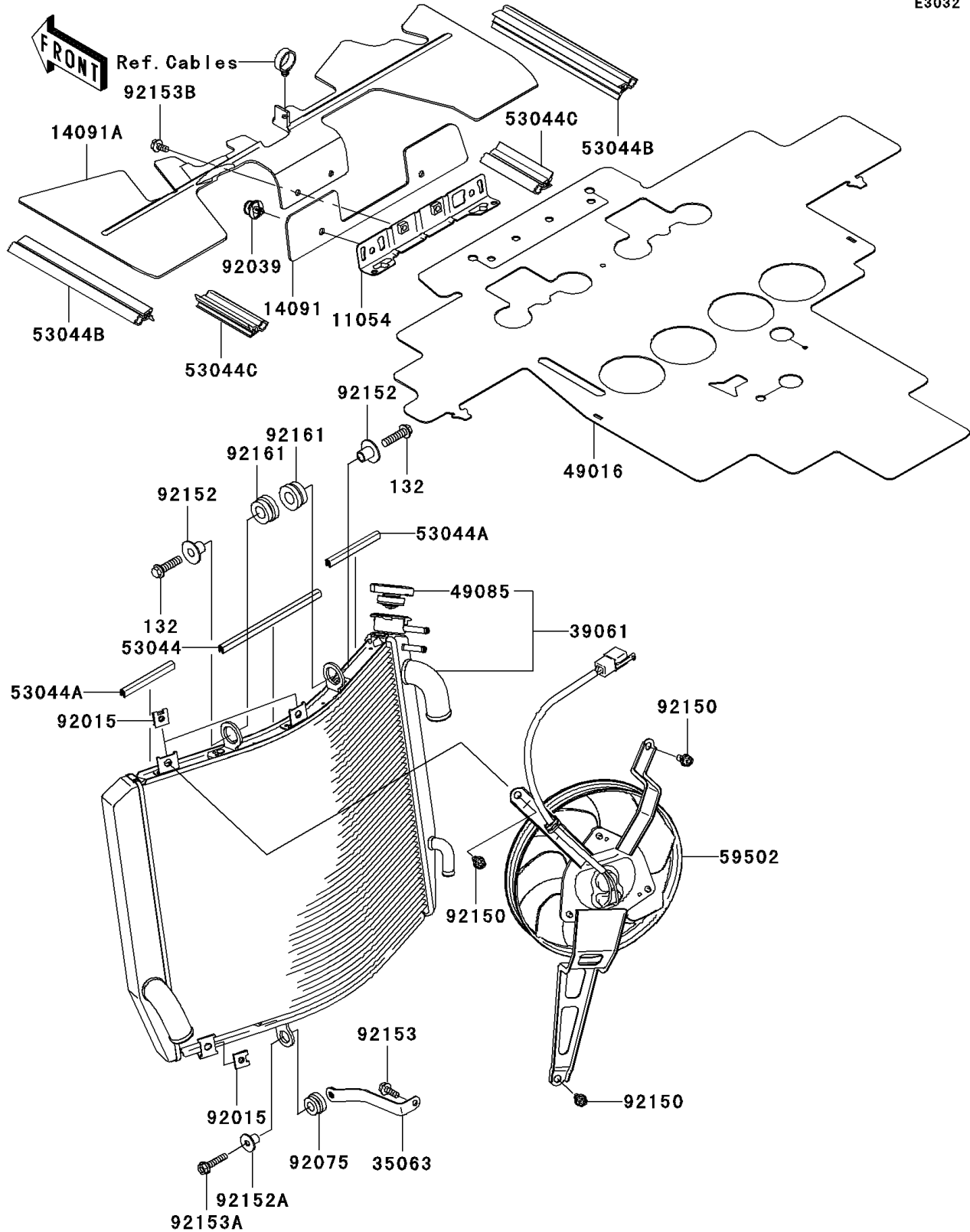


# 2008 Ninja® ZX™-14 PARTS DIAGRAM

Radiator

E3032



## 2008 Ninja® ZX™ -14 PARTS LIST

### Radiator

ITEM NAME	PART NUMBER	QUANTITY
BOLT-FLANGED-SMALL,8X30 (Ref # 132)	132BC0830	2
BRACKET (Ref # 11054)	11054-0866	1
COVER,HOT WIND (Ref # 14091)	14091-0621	1
COVER,HOT WIND (Ref # 14091A)	14091-0622	1
STAY (Ref # 35063)	35063-0440	1
RADIATOR-ASSY (Ref # 39061)	39061-0080	1
COVER-SEAL,HOT WIND (Ref # 49016)	49016-0048	1
CAP-ASSY-PRESSURE (Ref # 49085)	49085-1066	1
TRIM (Ref # 53044)	53044-0016	1
TRIM (Ref # 53044A)	53044-0018	2
TRIM (Ref # 53044B)	53044-0020	2
TRIM (Ref # 53044C)	53044-1220	2
FAN-ASSY (Ref # 59502)	59502-0036	1
NUT (Ref # 92015)	92015-1487	3
RIVET (Ref # 92039)	92039-0014	2
DAMPER,RUBBER (Ref # 92075)	92075-1123	1
BOLT,6X12 (Ref # 92150)	92150-1186	3
COLLAR (Ref # 92152)	92152-0439	2
COLLAR (Ref # 92152A)	92152-0440	1
BOLT-FLANGED,6X16 (Ref # 92153)	92153-1584	1
BOLT,FLANGED,6X30 (Ref # 92153A)	92153-1590	1
BOLT,FLANGED,6X12 (Ref # 92153B)	92153-1660	2
DAMPER (Ref # 92161)	92161-0304	2