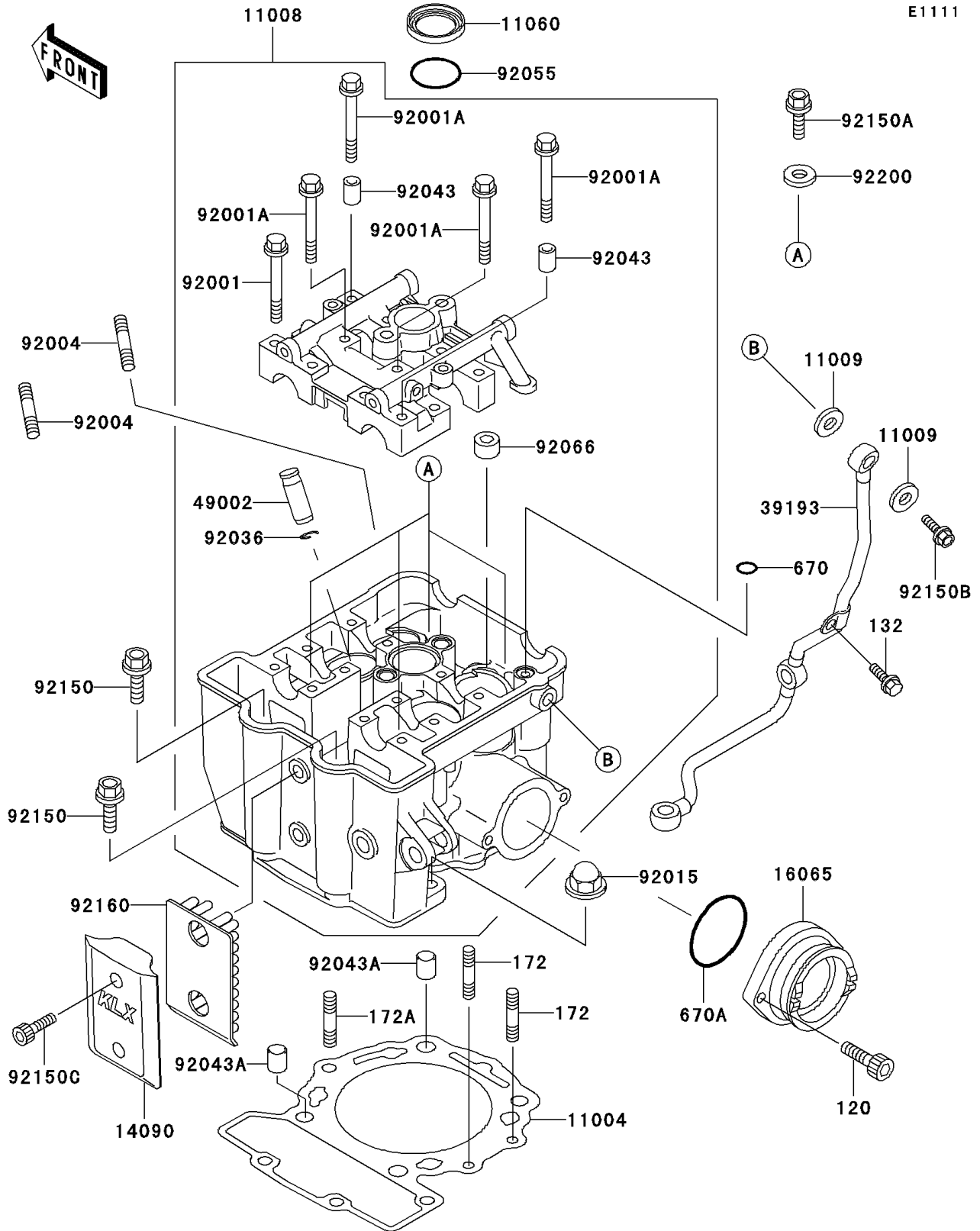


# 1994 KLX650 PARTS DIAGRAM

Cylinder Head



# 1994 KLX650 PARTS LIST

## Cylinder Head

ITEM NAME	PART NUMBER	QUANTITY
BOLT-SOCKET (Ref # 120)	120Z0620	2
BOLT-FLANGED-SMALL (Ref # 132)	132Y0610	1
BOLT-STUD,6X22 (Ref # 172)	172G0622	2
BOLT-STUD,8X25 (Ref # 172A)	172G0825	1
O RING,8MM (Ref # 670)	670D1508	1
O RING,48MM (Ref # 670A)	670D3048	1
GASKET-HEAD (Ref # 11004)	11004-1253	1
HEAD-COMP-CYLINDER (Ref # 11008)	11008-1275	1
GASKET,10X14.5X1.5 (Ref # 11009)	11009-1105	6
GASKET,CAP (Ref # 11060)	11060-1297	1
COVER (Ref # 14090)	14090-1342	1
HOLDER-CARBURETOR (Ref # 16065)	16065-1104	1
PIPE-OIL (Ref # 39193)	39193-1012	1
GUIDE-VALVE (Ref # 49002)	49002-1125	AR
BOLT,FLANGED,6X38 (Ref # 92001)	92001-1105	8
BOLT,6X46 (Ref # 92001A)	92001-1872	4
STUD,8X22 (Ref # 92004)	92004-1217	2
NUT,8MM (Ref # 92015)	92015-1402	1
RING-SNAP (Ref # 92036)	92036-023	4
PIN,6.2X8X14 (Ref # 92043)	92043-1263	2
PIN,10.1X12X14 (Ref # 92043A)	92043-4009	2
RING-O,30MM (Ref # 92055)	92055-1047	1
PLUG (Ref # 92066)	92066-1253	2
BOLT,SOCKET,8X30 (Ref # 92150)	92150-1156	2
BOLT,10X225 (Ref # 92150A)	92150-1618	4
BOLT,BANJO,10X23 (Ref # 92150B)	92150-1641	3
BOLT,SOCKET,6X25 (Ref # 92150C)	92150-1714	2
DAMPER (Ref # 92160)	92160-1441	1
WASHER,10.5X19X2.3 (Ref # 92200)	92200-1042	4