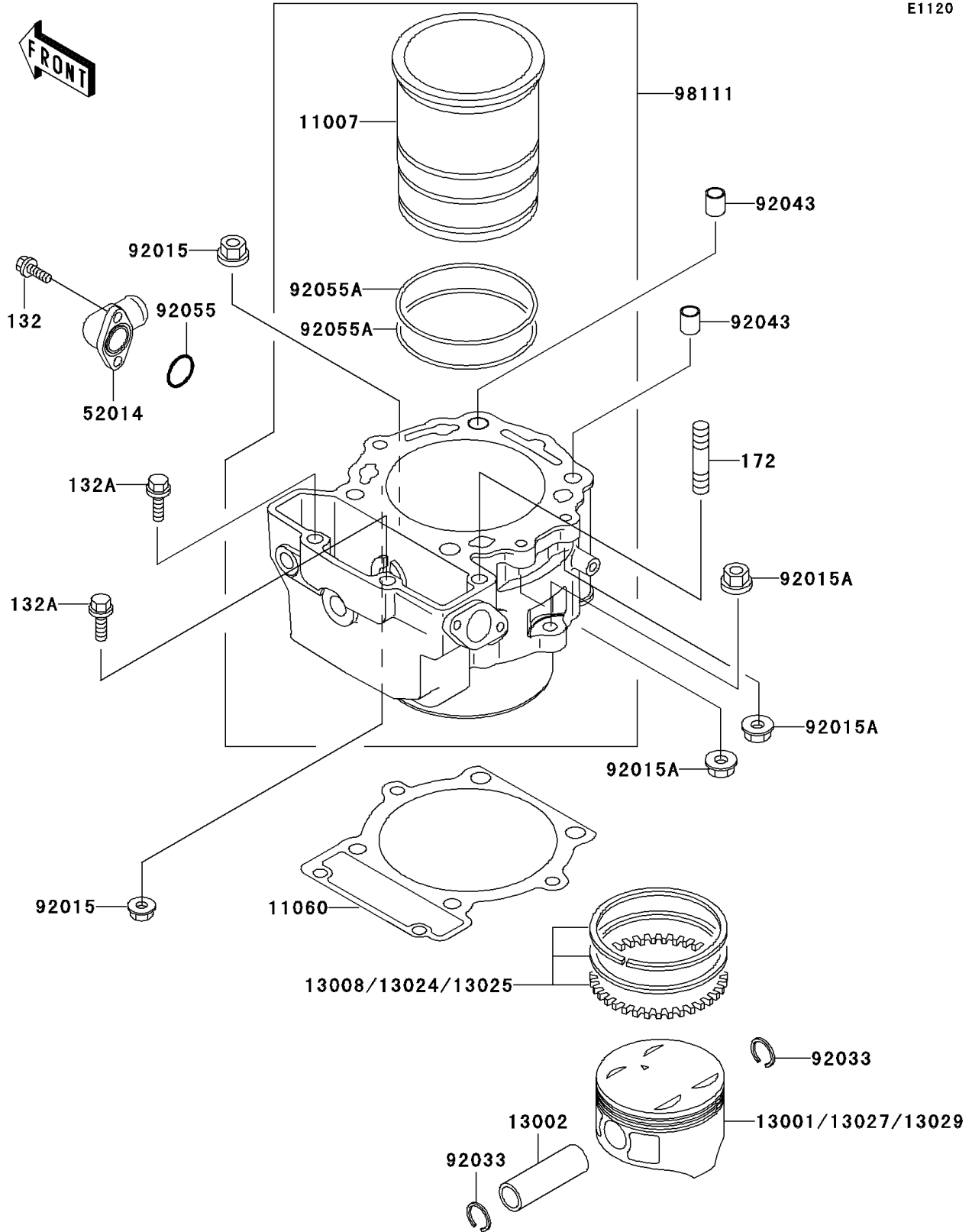


# 1994 KLX650 PARTS DIAGRAM

Cylinder/Piston(s)

E1120



# 1994 KLX650 PARTS LIST

Cylinder/Piston(s)

ITEM NAME	PART NUMBER	QUANTITY
BOLT-FLANGED-SMALL (Ref # 132)	132G0825	2
BOLT-FLANGED-SMALL (Ref # 132A)	132Y0614	2
BOLT-STUD,8X20 (Ref # 172)	172G0820	1
LINER-CYLINDER (Ref # 11007)	11007-1127	1
GASKET,CYLINDER BASE (Ref # 11060)	11060-1292	1
PISTON-ENGINE (Ref # 13001)	13001-1401	1
PIN-PISTON (Ref # 13002)	13002-1101	1
RING-SET-PISTON (Ref # 13008)	13008-1156	1
RING-SET-PISTON LL,O/S 1.00 (Ref # 13024)	13024-1095	AR
RING-SET-PISTON L,O/S 0.50 (Ref # 13025)	13025-1119	AR
PISTON-ENGINE LL,O/S 1.00 (Ref # 13027)	13027-1174	AR
PISTON-ENGINE L,O/S 0.50 (Ref # 13029)	13029-1220	AR
ELBOW (Ref # 52014)	52014-1084	1
NUT,6MM (Ref # 92015)	92015-1365	2
NUT,8MM (Ref # 92015A)	92015-1402	3
RING-SNAP (Ref # 92033)	92033-1226	2
PIN,10.1X12X14 (Ref # 92043)	92043-4009	2
RING-O,19.5X1.5 (Ref # 92055)	92055-055	1
RING-O (Ref # 92055A)	92055-1368	2
CYLINDER-COMP-ENGINE (Ref # 98111)	98111-1059	1