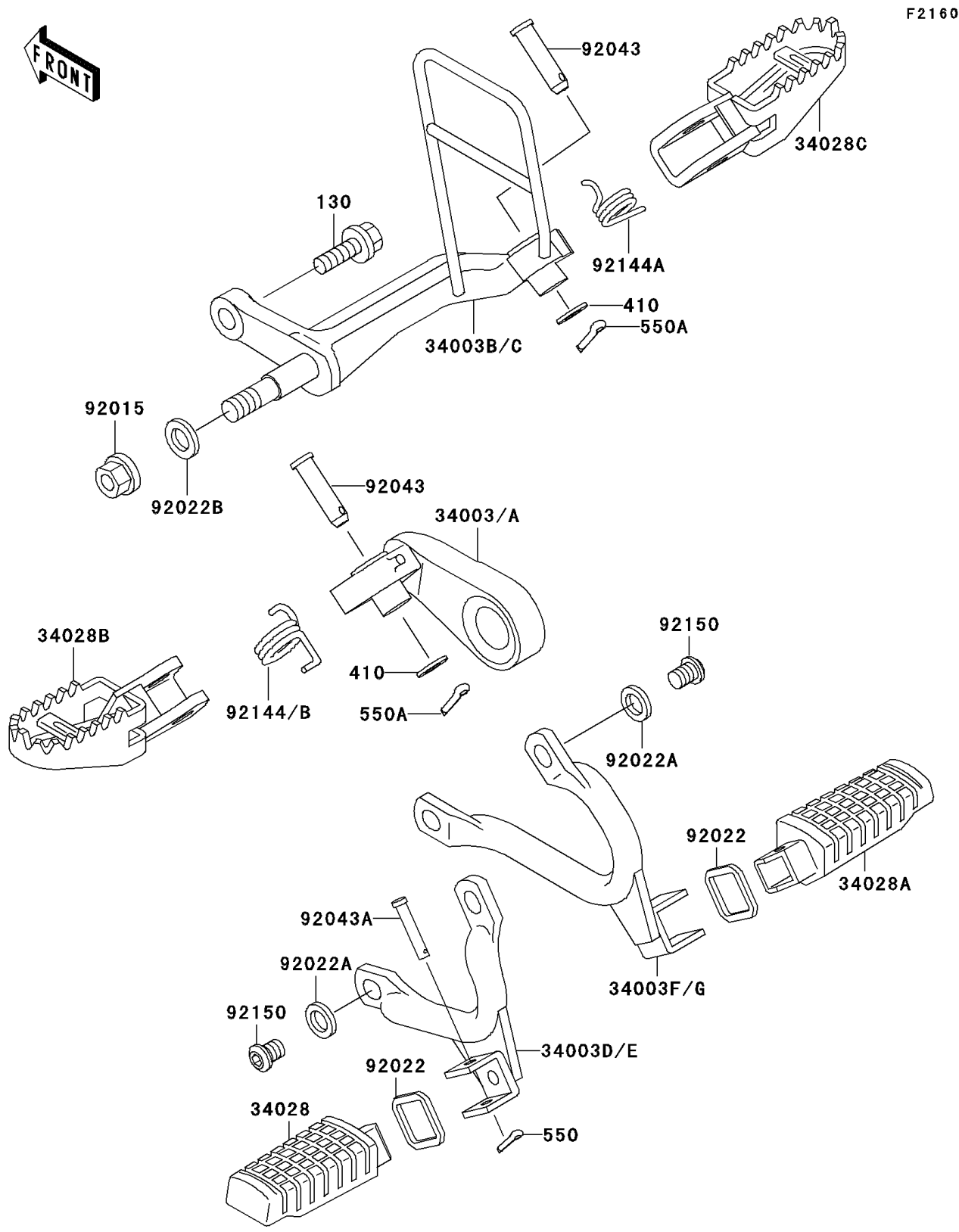


1995 KLX650 PARTS DIAGRAM

Footrests



1995 KLX650 PARTS LIST

Footrests

ITEM NAME	PART NUMBER	QUANTITY
BOLT-FLANGED,10X20 (Ref # 130)	130P1020	1
WASHER-PLAIN-SMALL,8MM (Ref # 410)	410B0800	2
PIN-COTTER,2.0X15 (Ref # 550)	550D2015	2
PIN-COTTER,2.5X15 (Ref # 550A)	550D2515	2
HOLDER-STEP,FR,LH,VIOLET (Ref # 34003A)	34003-1376-TY	1
HOLDER-STEP,FR,RH,VIOLET (Ref # 34003C)	34003-1377-TY	1
HOLDER-STEP,RR,LH,VIOLET (Ref # 34003E)	34003-1378-TY	1
HOLDER-STEP,RR,RH,VIOLET (Ref # 34003G)	34003-1379-TY	1
STEP,RR,LH (Ref # 34028)	34028-1195	1
STEP,RR,RH (Ref # 34028A)	34028-1196	1
STEP,FR,LH (Ref # 34028B)	34028-1361	1
STEP,FR,RH (Ref # 34028C)	34028-1362	1
NUT,FLANGED,10MM (Ref # 92015)	92015-1502	1
WASHER,STEP FITTING (Ref # 92022)	92022-1797	2
WASHER,10.2X16X1 (Ref # 92022A)	92022-1829	4
WASHER,10.5X18X2.5 (Ref # 92022B)	92022-1876	1
PIN,8X35.5 (Ref # 92043)	92043-115	2
PIN,6X28 (Ref # 92043A)	92043-1464	2
SPRING,STEP RETURN,RH (Ref # 92144A)	92144-1685	1
SPRING,STEP RETURN,LH (Ref # 92144B)	92144-1749	1
BOLT,SOCKET,10X16 (Ref # 92150)	92150-1111	4