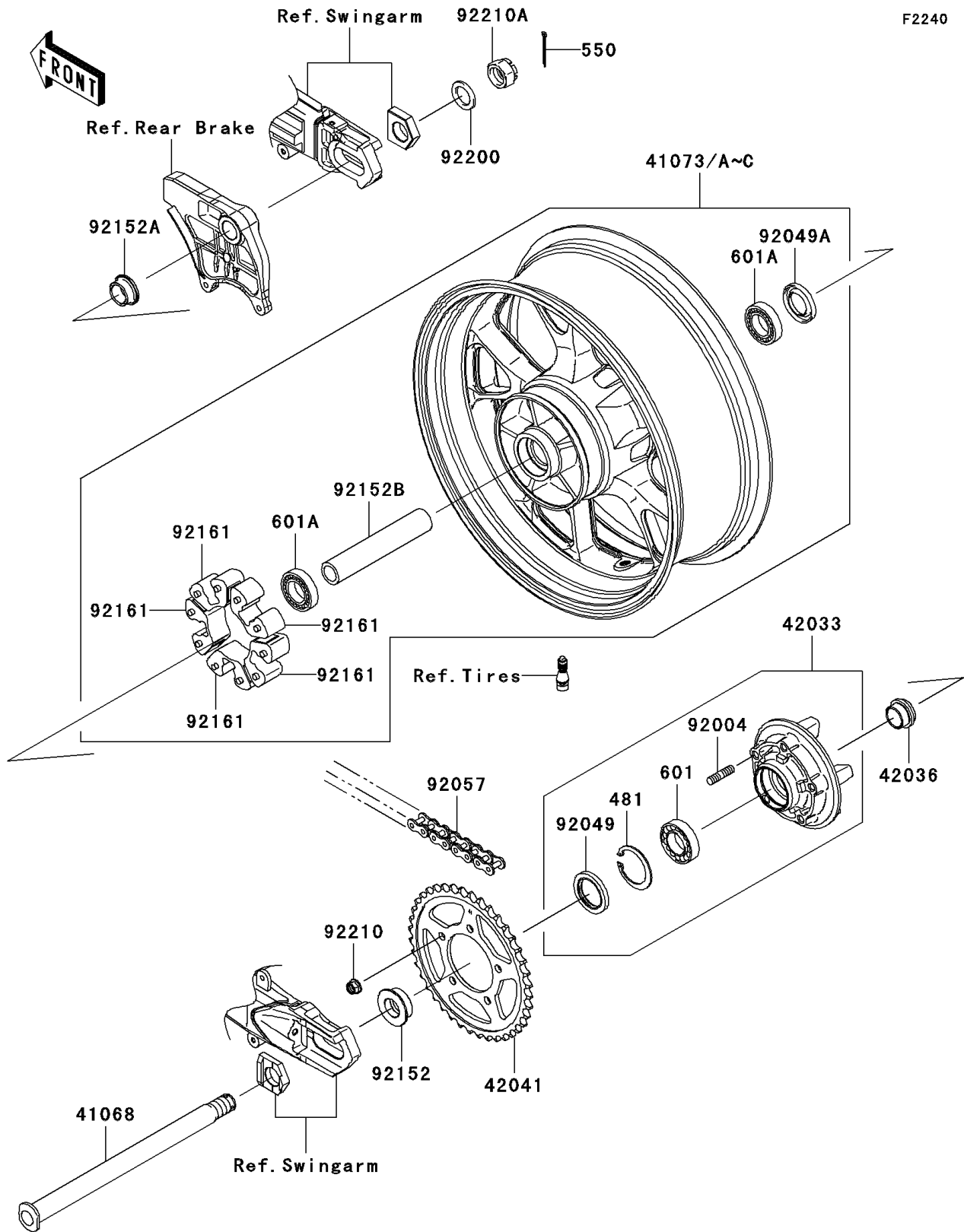


2008 Ninja® ZX™-14 PARTS DIAGRAM

Rear Wheel/Chain

F2240



2008 Ninja® ZX™ -14 PARTS LIST

Rear Wheel/Chain

ITEM NAME	PART NUMBER	QUANTITY
CIRCLIP (Ref # 481)	481J5500	1
PIN-COTTER,4.0X40 (Ref # 550)	550AA4040	1
BEARING-BALL,#6006G (Ref # 601)	601B6006G	1
BEARING-BALL (Ref # 601A)	601B6205UU	2
AXLE,RR (Ref # 41068)	41068-0050	1
WHEEL-ASSY,RR,M.F.P.SILVER (Ref # 41073C)	41073-0064-795	1
COUPLING-ASSY,RR HUB (Ref # 42033)	42033-0021	1
SLEEVE,RR HUB,L=22 (Ref # 42036)	42036-1279	1
SPROCKET-HUB,41T (Ref # 42041)	42041-0023	1
STUD,10X24 (Ref # 92004)	92004-0029	5
SEAL-OIL,PJN40556 (Ref # 92049)	92049-1263	1
SEAL-OIL,RR HUB (Ref # 92049A)	92049-1375	1
CHAIN,DRIVE,DID50ZVZX116L (Ref # 92057)	92057-0146	1
COLLAR,RR AXLE,LH,L=16.5 (Ref # 92152)	92152-0340	1
COLLAR,RR AXLE,RH,L=16 (Ref # 92152A)	92152-0341	1
COLLAR,RR HUB,L=152.5 (Ref # 92152B)	92152-1080	1
DAMPER,SHOCK,RR HUB (Ref # 92161)	92161-1286	5
WASHER,25.5X38X3.2 (Ref # 92200)	92200-0278	1
NUT,LOCK,FLANGED,10MM (Ref # 92210)	92210-0276	5
NUT,CASTLE,24MM (Ref # 92210A)	92210-0280	1