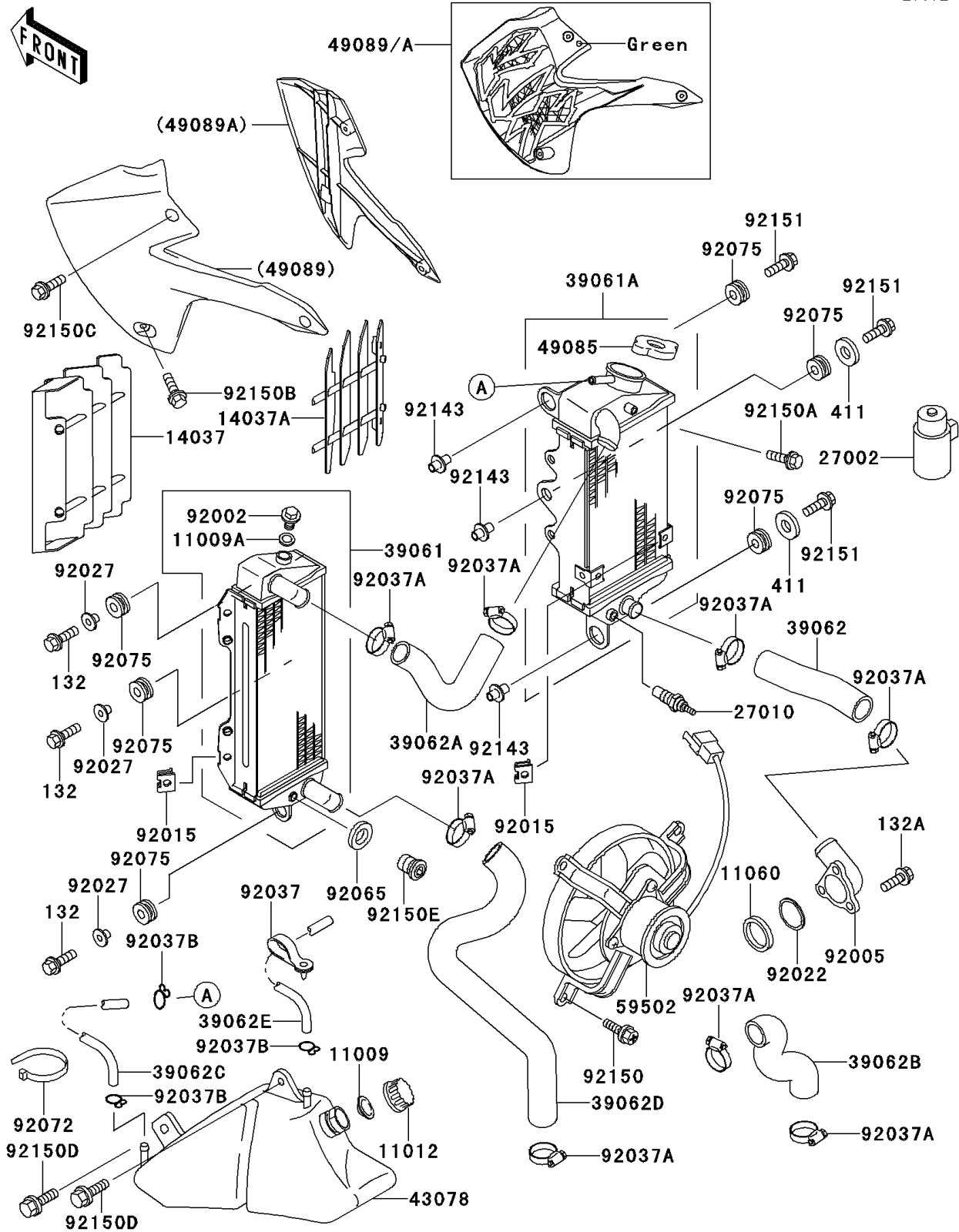


1996 KLX650R PARTS DIAGRAM

Radiator

E3032



1996 KLX650R PARTS LIST

Radiator

ITEM NAME	PART NUMBER	QUANTITY
GASKET,RESERVOIR TANK CAP (Ref # 11009)	11009-1145	1
GASKET,DRAIN BOLT (Ref # 11009A)	11009-1152	1
CAP (Ref # 11012)	11012-1084	1
GASKET,THERMOSTAT (Ref # 11060)	11060-1300	1
SCREEN,LH,L.GREEN (Ref # 14037)	14037-1160-6W	1
SCREEN,RH,L.GREEN (Ref # 14037A)	14037-1164-6W	1
RELAY-ASSY (Ref # 27002)	27002-1051	1
SWITCH,FAN (Ref # 27010)	27010-1180	1
RADIATOR-ASSY,LH (Ref # 39061)	39061-1188	1
RADIATOR-ASSY (Ref # 39061A)	39061-1208	1
HOSE-COOLING,HEAD-RADIATOR RH (Ref # 39062)	39062-1514	1
HOSE-COOLING,RADIATOR-RADIATOR (Ref # 39062A)	39062-1515	1
HOSE-COOLING,PUMP-CYLINDER (Ref # 39062B)	39062-1517	1
HOSE-COOLING,RESERVOIR (Ref # 39062C)	39062-1560	1
HOSE-COOLING,RADIATOR,LH-PUMP (Ref # 39062D)	39062-1561	1
HOSE-COOLING,OVERFLOW (Ref # 39062E)	39062-1570	1
RESERVOIR (Ref # 43078)	43078-1128	1
CAP-ASSY-PRESSURE (Ref # 49085)	49085-1066	1
SHROUD-ENGINE,LH,L.GREEN (Ref # 49089)	49089-5269-6W	1
SHROUD-ENGINE,RH,L.GREEN (Ref # 49089A)	49089-5270-6W	1
FAN-ASSY (Ref # 59502)	59502-1110	1
BOLT,RADIATOR DRAIN (Ref # 92002)	92002-1682	1
FITTING (Ref # 92005)	92005-1258	1
NUT (Ref # 92015)	92015-1487	3
WASHER,25.3X30X1 (Ref # 92022)	92022-161	1
COLLAR,L=11.1 (Ref # 92027)	92027-194	3
CLAMP,HOSE (Ref # 92037)	92037-1163	1
CLAMP,COOLING HOSE (Ref # 92037A)	92037-1589	8
CLAMP (Ref # 92037B)	92037-1712	3

1996 KLX650R PARTS LIST

Radiator

ITEM NAME	PART NUMBER	QUANTITY
GASKET,10.5X16X1,DRAIN PLUG (Ref # 92065)	92065-058	1
BAND,L=140 (Ref # 92072)	92072-1293	3
DAMPER (Ref # 92075)	92075-209	6
COLLAR (Ref # 92143)	92143-1834	3
BOLT,6X12 (Ref # 92150)	92150-1186	3
BOLT,6X20 (Ref # 92150A)	92150-1339	1
BOLT,6X14 (Ref # 92150B)	92150-1340	2
BOLT,6X12 (Ref # 92150C)	92150-1435	4
BOLT,FLANGED,6X14 (Ref # 92150D)	92150-1504	2
BOLT,10X10 (Ref # 92150E)	92150-1867	1
BOLT (Ref # 92151)	92151-1056	3
BOLT-FLANGED-SMALL (Ref # 132)	132J0620	3
BOLT-FLANGED-SMALL (Ref # 132A)	132Y0612	3
WASHER-PLAIN,6MM,BLACK (Ref # 411)	411F0600	2