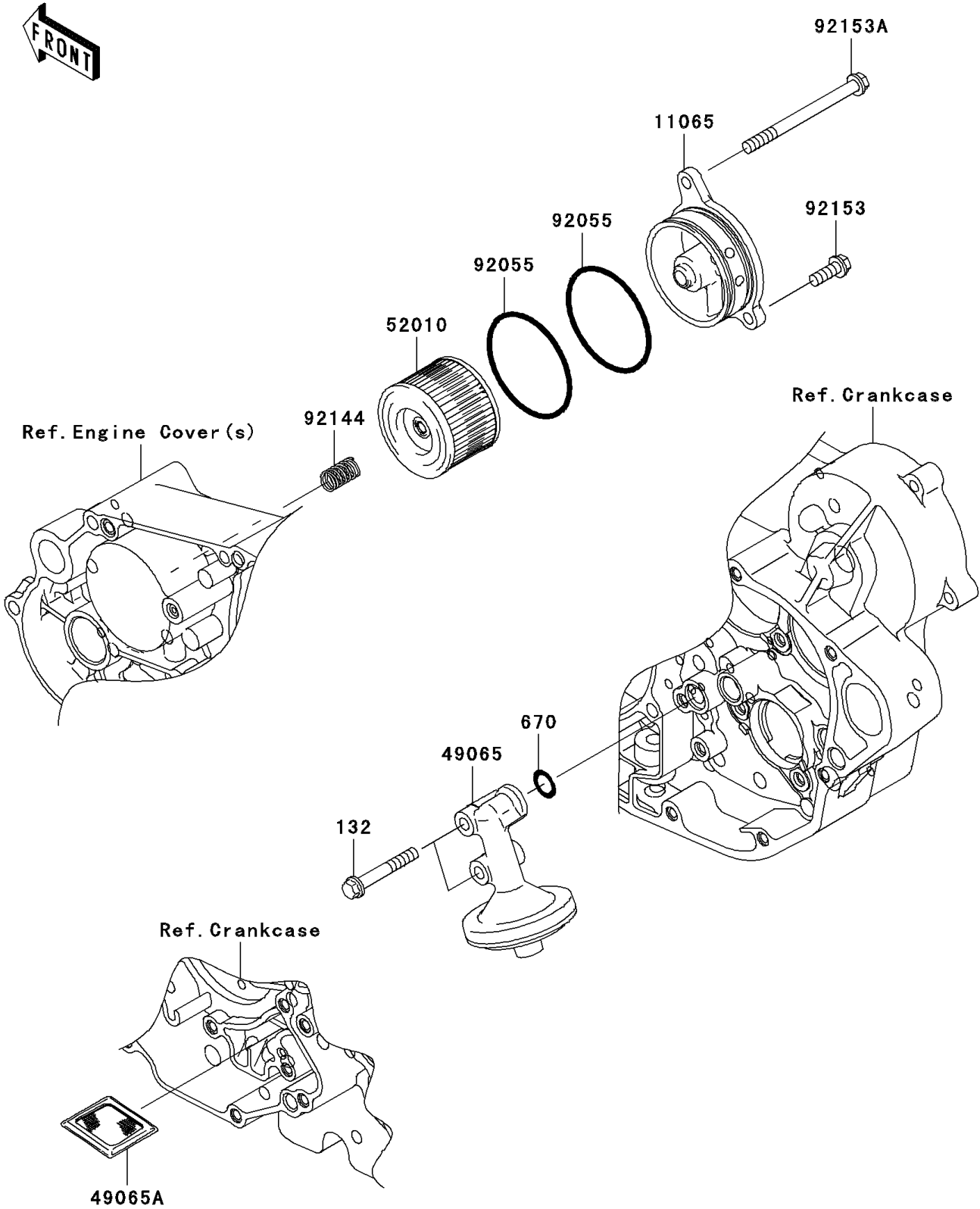


2008 KLX® 450R PARTS DIAGRAM

Oil Filter

E1720



2008 KLX® 450R PARTS LIST

Oil Filter

ITEM NAME	PART NUMBER	QUANTITY
BOLT-FLANGED-SMALL,6X40 (Ref # 132)	132BA0640	2
O RING (Ref # 670)	670D2010	1
CAP,OIL FILTER (Ref # 11065)	11065-0107	1
FILTER-OIL (Ref # 49065)	49065-0018	1
FILTER-OIL,STRAINER (Ref # 49065A)	49065-0019	1
ELEMENT-OIL FILTER (Ref # 52010)	52010-1053	1
RING-O,52.6X2.4 (Ref # 92055)	92055-1577	2
SPRING (Ref # 92144)	92144-1761	1
BOLT,6X16 (Ref # 92153)	92153-0695	1
BOLT,6X75 (Ref # 92153A)	92153-0862	1