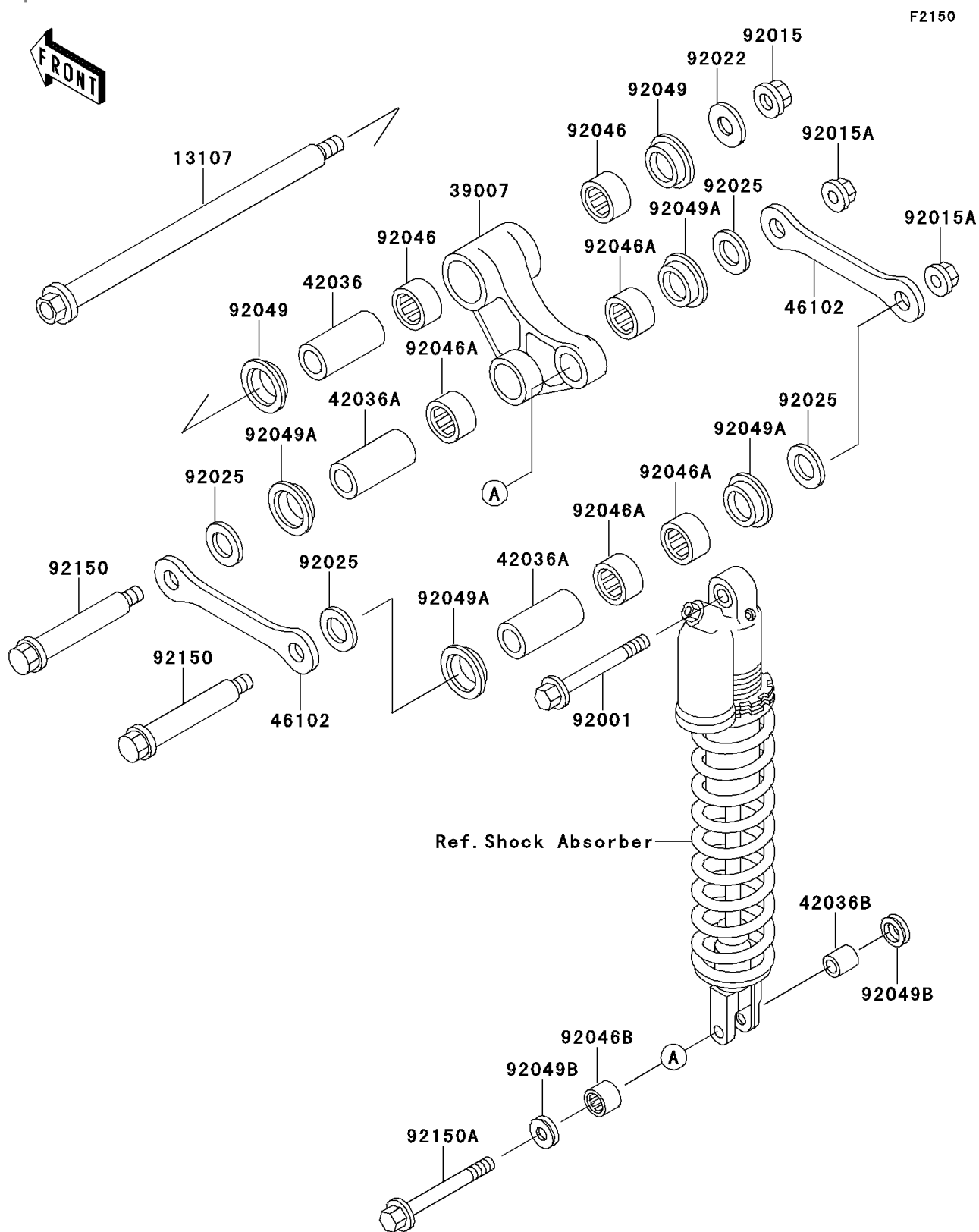


1996 KLX650R PARTS DIAGRAM

Rear Suspension



1996 KLX650R PARTS LIST

Rear Suspension

ITEM NAME	PART NUMBER	QUANTITY
SHAFT,SUSPENSION ARM (Ref # 13107)	13107-1307	1
ARM-SUSP,UNI TRAK (Ref # 39007)	39007-1225	1
SLEEVE,20X28X60 (Ref # 42036)	42036-1207	1
SLEEVE,15X22X57 (Ref # 42036A)	42036-1245	2
SLEEVE,10X16X19 (Ref # 42036B)	42036-1248	1
ROD,SUSPENSION (Ref # 46102)	46102-1348	2
BOLT,10X44 (Ref # 92001)	92001-1499	1
NUT,FLANGED,16MM (Ref # 92015)	92015-1316	1
NUT,FLANGED,12MM (Ref # 92015A)	92015-1433	2
WASHER,16X32X3.2 (Ref # 92022)	92022-1701	1
SHIM,15.3X27.5X0.6 (Ref # 92025)	92025-1135	4
BEARING-NEEDLE,BM283417 (Ref # 92046)	92046-1111	2
BEARING-NEEDLE,F-2220 (Ref # 92046A)	92046-1162	4
BEARING-NEEDLE,16BM2212 (Ref # 92046B)	92046-1192	1
SEAL-OIL (Ref # 92049)	92049-1181	2
SEAL-OIL,MHA22 28 5.7F (Ref # 92049A)	92049-1254	4
SEAL-OIL (Ref # 92049B)	92049-1330	2
BOLT,ROD,12X93 (Ref # 92150)	92150-1337	2
BOLT,FLANGED,10X40 (Ref # 92150A)	92150-1711	1