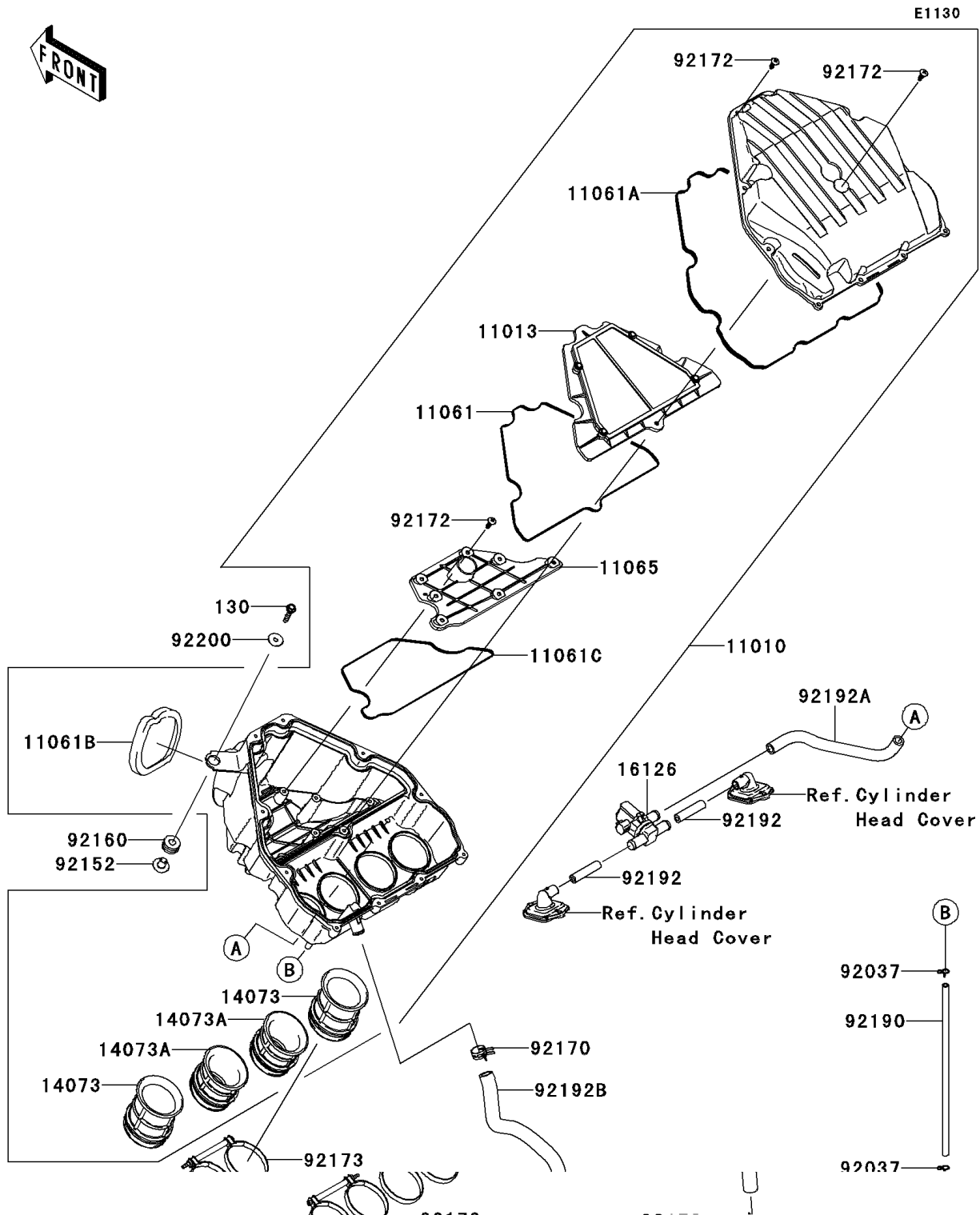


# 2013 VERSYS® 1000 (European) PARTS DIAGRAM

Air Cleaner



## 2013 VERSYS® 1000 (European) PARTS LIST

### Air Cleaner

ITEM NAME	PART NUMBER	QUANTITY
BOLT-FLANGED,6X30 (Ref # 130)	130BB0630	1
FILTER-ASSY-AIR (Ref # 11010)	11010-0214	1
ELEMENT-AIR FILTER (Ref # 11013)	11013-0712	1
GASKET,ELEMENT (Ref # 11061)	11061-0405	1
GASKET,CASE (Ref # 11061A)	11061-0406	1
GASKET,FRAME (Ref # 11061B)	11061-0407	1
GASKET (Ref # 11061C)	11061-0424	1
CAP (Ref # 11065)	11065-0366	1
RECEIVER-OIL (Ref # 13045)	13045-1057	1
DUCT,#1&#4 (Ref # 14073)	14073-0278	2
DUCT,#2&#3 (Ref # 14073A)	14073-0279	2
VALVE,AIR SWITCHING (Ref # 16126)	16126-1437	1
CLAMP (Ref # 92037)	92037-1712	2
COLLAR,6.5X10.5X13.1 (Ref # 92152)	92152-0547	1
DAMPER (Ref # 92160)	92160-1162	1
CLAMP (Ref # 92170)	92170-1060	2
SCREW,TAPPING,5X20 (Ref # 92172)	92172-0483	18
CLAMP (Ref # 92173)	92173-0115	2
TUBE,6X9X300 (Ref # 92190)	92190-1253	1
TUBE,HEAD ASV (Ref # 92192)	92192-0843	2
TUBE,ASV-A/C (Ref # 92192A)	92192-0844	1
TUBE,BLOWBY (Ref # 92192B)	92192-0845	1
WASHER,6.5X22X1.6 (Ref # 92200)	92200-1087	1